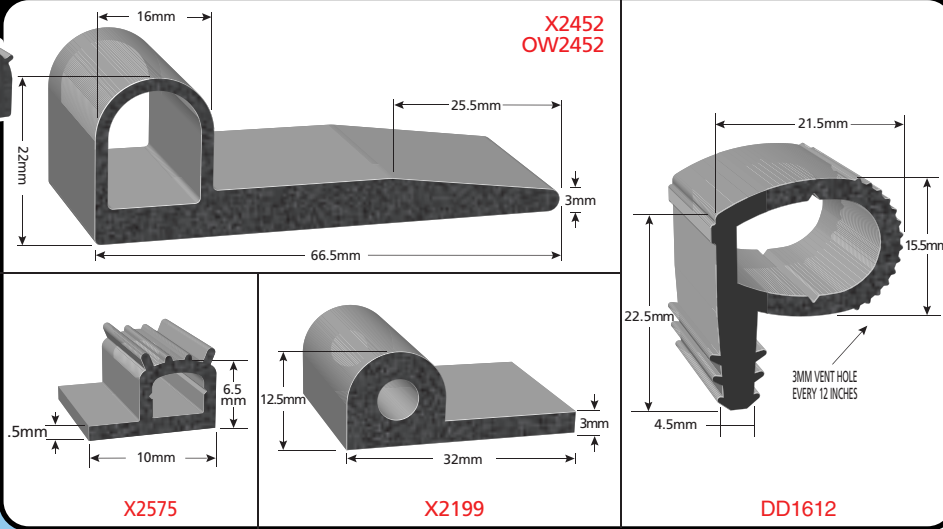
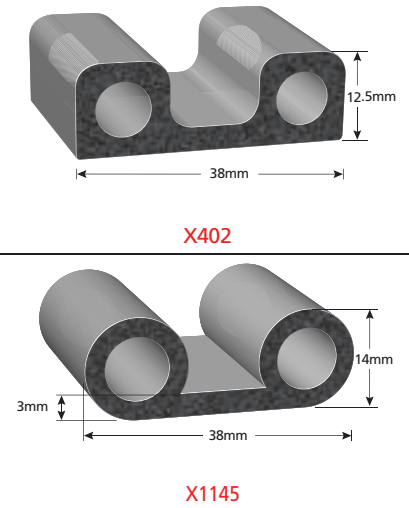


RUBBER SEAL

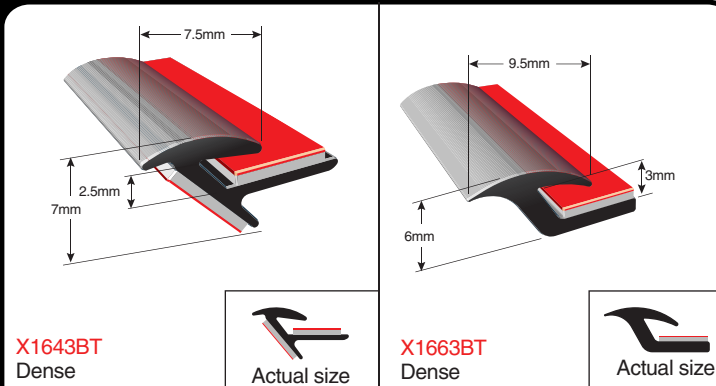
"P" SEALS



LID SEALS



FENDER FLARE TRIMS

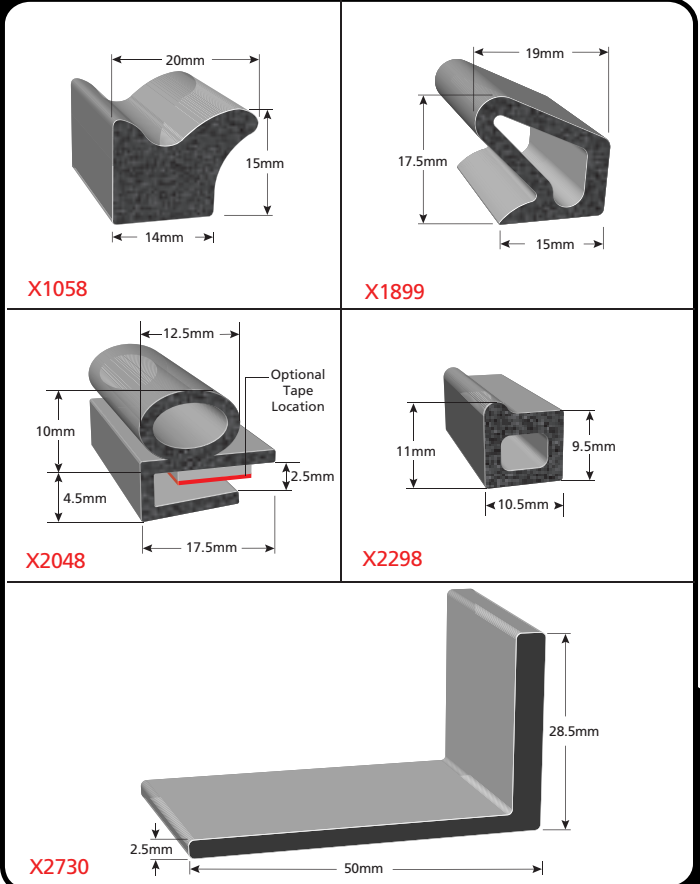


Fender Flare Trim is an ozone resistant EPDM rubber that mounts between the flare and the body. **3M**™ automotive grade tape creates a solid bond between both surfaces.



Easily installed before fender flare is installed against body to isolate vibration and provide an attractive finish.

ADDITIONAL PROFILES



See page 42 for tape options

1-888-874-6565

TRIM-LOK® INC.
www.trimlok.com