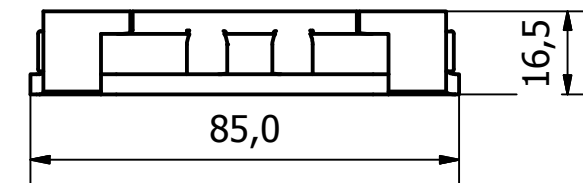
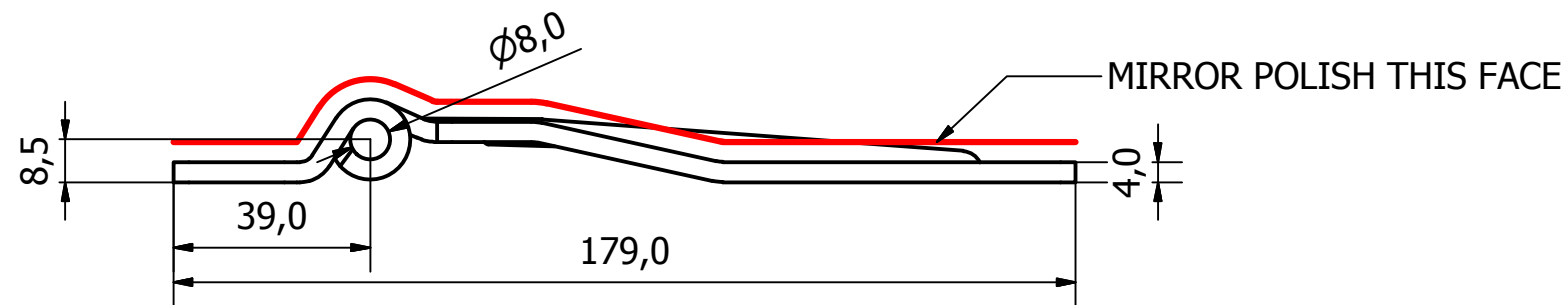
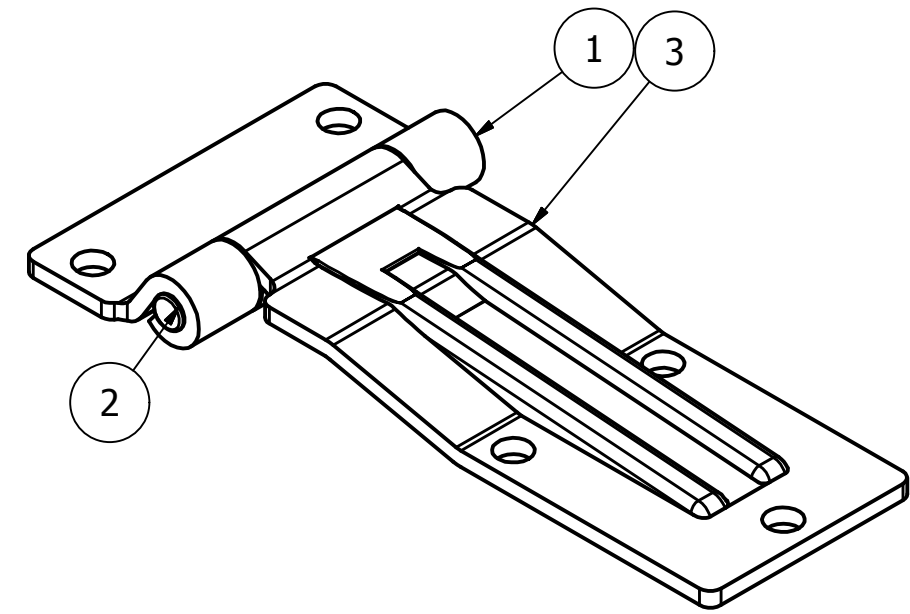
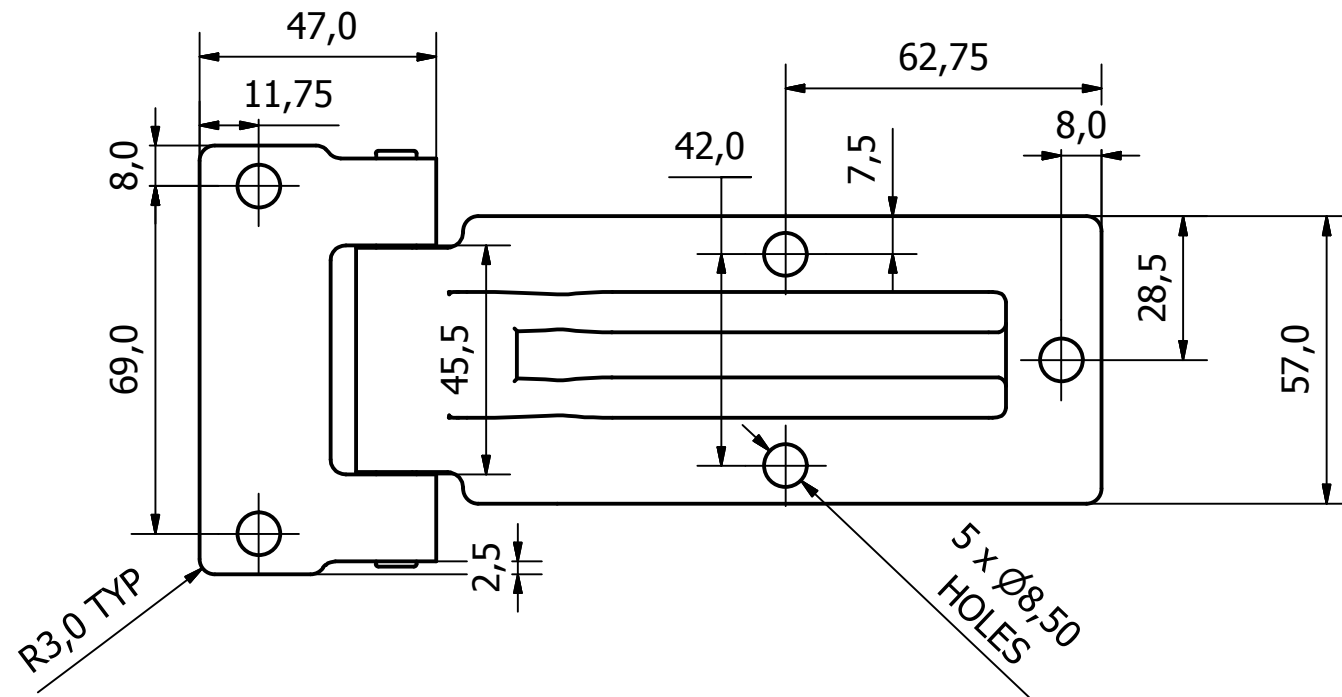


PARTS LIST			
ITEM	QTY	PART NUMBER	DESCRIPTION
1	1	9820-6290-1	HINGE BASE PLATE
2	1	9820-6290-2	HINGE PIN - 82.5 O/A
3	1	9820-6290-3	SS HINGE MAIN PLATE



NOTE:
HINGE DESIGNED FOR 180° APPLICATIONS
BUT WILL ROTATE THROUGH TO 270°

GENERAL TOLERANCES ON LENGTHS
0.5 - 6 ± 0.1mm
6 - 30 ± 0.2mm
30 - 120 ± 0.3mm
120 - 400 ± 0.5mm
400 - 1000 ± 0.8mm
1000 - 1200 ± 1.2mm
2000 - 4000 ± 2.0mm

ALBERT JAGGER LTD
GREEN LANE
WALSALL WEST MIDLANDS WS2 8HG
PHONE: 01922 471000
FAX: 01922 648021

THIS DRAWING & THE DESIGN SHOWN ARE THE PROPERTY OF ALBERT JAGGER LTD AND MUST NOT BE USED OR COPIED BY A THIRD PARTY WITHOUT PERMISSION

DRAWN BY
U.F

CHECKED BY
A.P

SCALE
1 : 1.5

MATERIAL
-

MASS
0.451 kg

FINISH
SEE NOTE

Date
23/09/2016

ALL DIMS IN MM UNLESS STATED DO NOT SCALE

1
REV

VALIDATION COMPLETE

21/10/16

A.P
APPROVED



PRESSED STEEL HINGE, CRANKED BLADE
9820-6290
Edition 1
Sheet 1 / 1