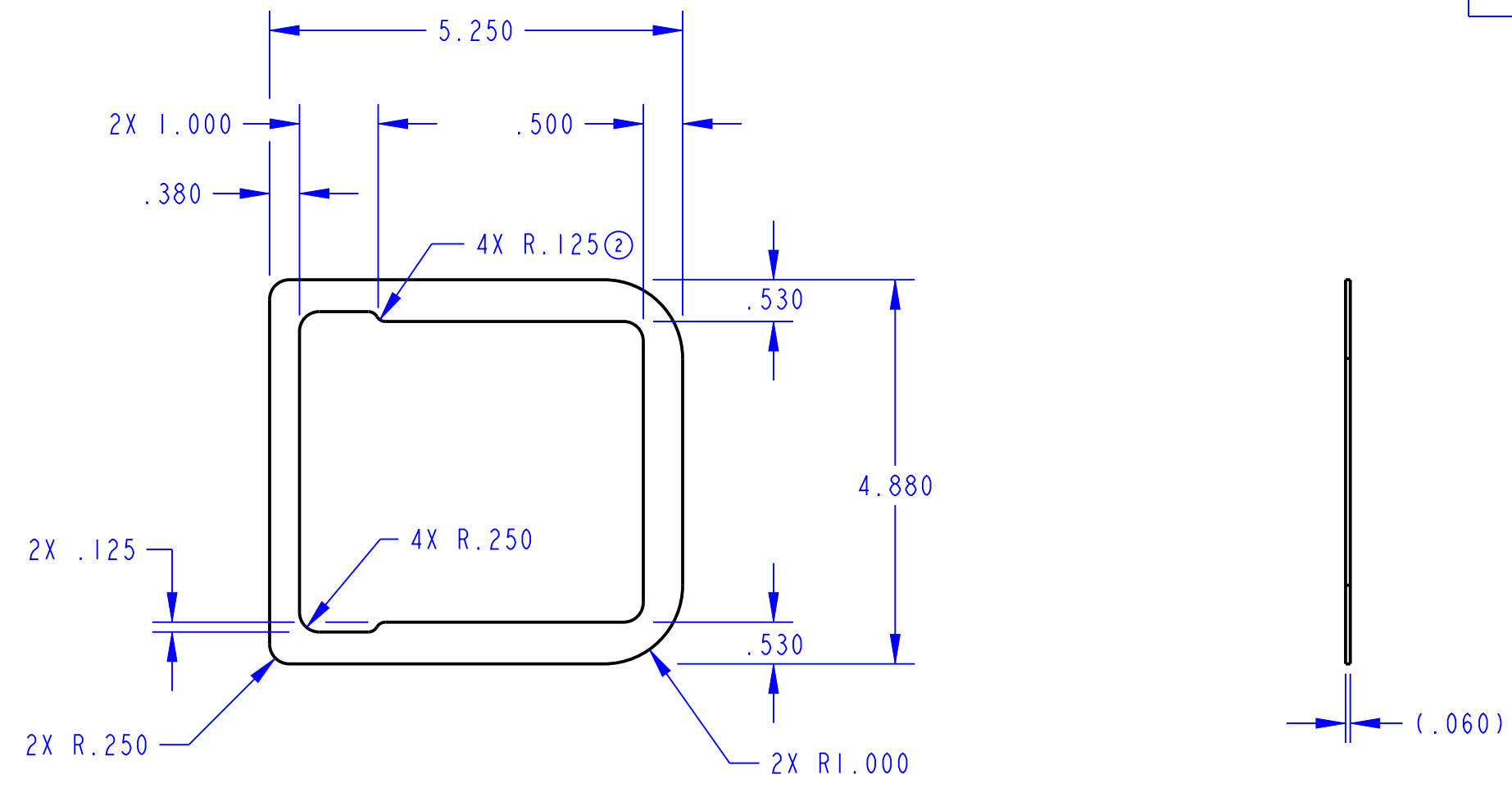

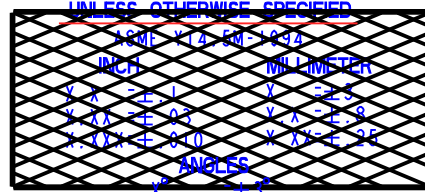



REVISION	ECO	BY	CHECKED	DESCRIPTION
2	9641	DA 9/20/96	JMK 10/2/96	REDRAWN ON CAD; REMOVED 2X R.125; 4X R.125 WAS 2X R.125



● INDICATES REQUIRED ASSEMBLY INFORMATION.

DRAWN BY KPE 10/3/88		MATERIAL BLACK NEOPRENE 70 DUROMETER (SHORE "A" SCALE)-.060 THK PER ES-118		 500 Bailey Avenue P. O. Box 350 New Hampton, Iowa 50659 U.S.A. Tel: 641-394-3188 Fax: 641-394-2392	
CHECKED BY DJF 5/5/89		HEAT TREAT			
DESIGN ENG. KPE 5/13/89		FINISH			
PROD. MNGR.		PROJECT LX88039-1			
<b>TOLERANCES UNLESS OTHERWISE SPECIFIED</b> 		CUSTOMER		CUSTOMER PART NUMBER	
DIMENSIONS X.X = ±.1 X.XX = ±.03 X.XXX = ±.020		ANGLES X° = ±3°		DESCRIPTION GASKET (030-0200,0250)	
 DO NOT SCALE DRAWING		SIZE B		SCALE 1:2	
		PART WEIGHT		REVISION 2	
		SURFACE AREA		TYPE	
		PRODUCT CODE		PART NUMBER 81258-00	
REF. T/M OP 4.20-2 FOR SUP. QUALITY REQ. - REF. T/M OP 4.20-3 FOR INT. QUALITY REQ.					