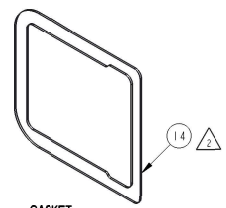
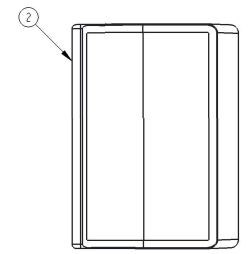
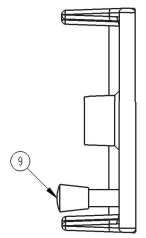
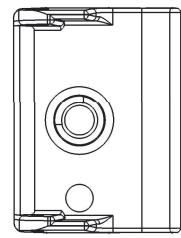
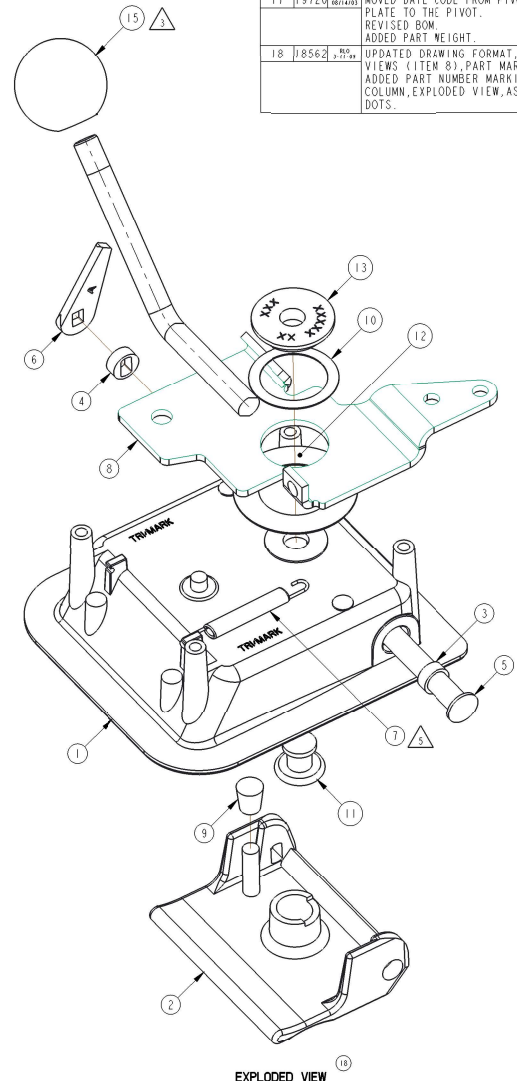
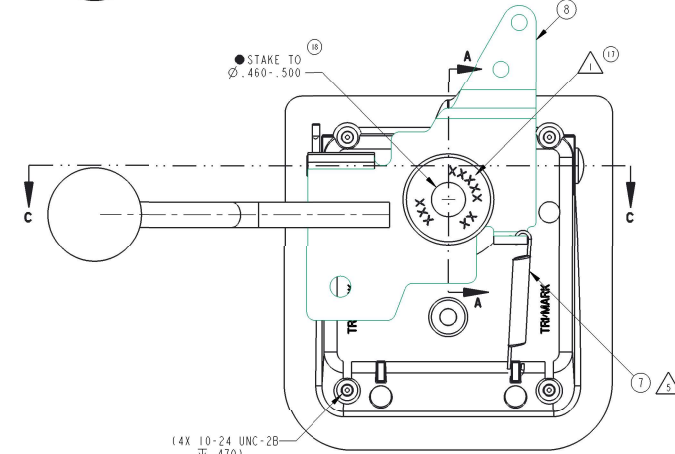
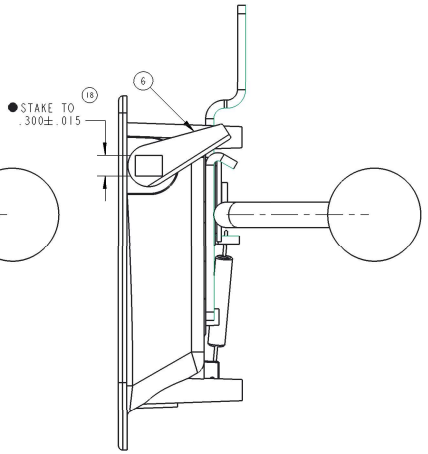
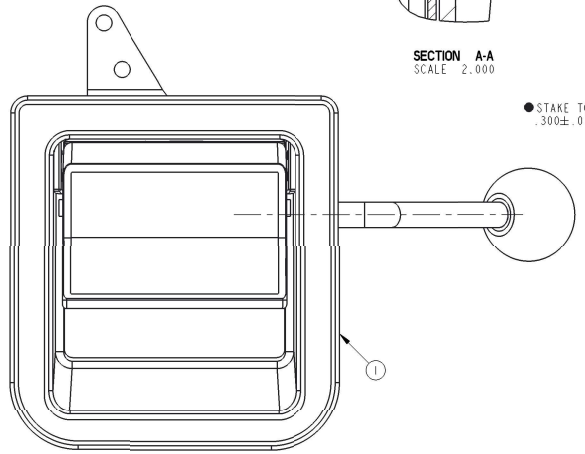
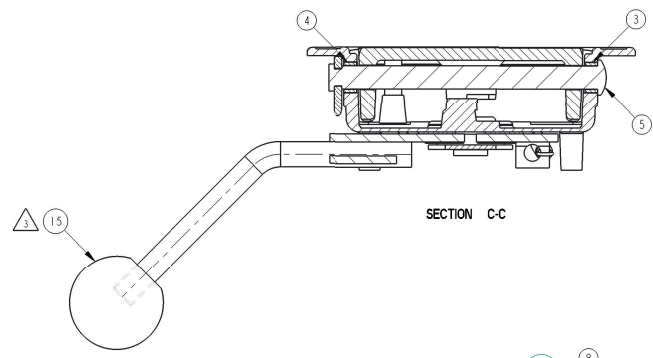
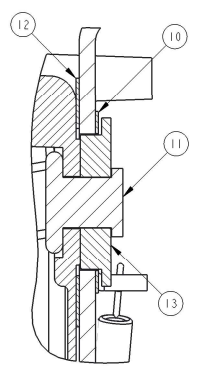


PART NUMBER	ITEM 1 HOUSING (QTY)	ITEM 2 PADDLE (QTY)	ITEM 3 BUSHING (QTY)	ITEM 4 BUSHING (QTY)	ITEM 5 AXLE (QTY)	ITEM 6 ARM (QTY)	ITEM 7 SPRING (QTY)	ITEM 8 PLY ASSY (QTY)	ITEM 9 BUMPER (QTY)	ITEM 10 WASHER (QTY)	ITEM 11 RIVET (QTY)	ITEM 12 WASHER (QTY)	ITEM 13 PIVOT (QTY)	ITEM 14 GASKET (QTY)	ITEM 15 KNOB (QTY)	FINISH	KEYS SUPPLIED YES/NO (QTY)	PART NUMBER MARKING
12123-12	13026-06 (1)	12574-12 (1)	80797-00 (1)	80796-00 (1)	10989-16 (1)	80652-15 (1)	80528-57 (1)	11301-04 (1)	81586-00 (1)	81243-00 (1)	81541-15 (1)	81245-00 (1)	81543-16 (1)	81258-00 (1)	80857-00 (1)	PAINT, BLACK, MEDIUM GLOSS	N/A	12123-12

REVISION	ECN	ECN BY	DESCRIPTION
14	14382	2/27/96	DELETED SECTION B-B
15	15606	4/22/96	UPDATED DISPLAY
16	19584	02/09/99	UPDATED DISPLAY (ITEM 1) REVISED & RELOCATED BOM REVISED & RELOCATED FINISH DELETED NON-REQUIRED DIMS RESTORED STD TOLERANCES
17	119720	05/08/2003	MOVED DATE CODE FROM PIVOT PLATE TO THE PIVOT. REVISED BOM. ADDED PART WEIGHT.
18	18562	09/11/03	UPDATED DRAWING FORMAT. VIEWS (ITEM 8) PART MARK. ADDED PART NUMBER MARKING COLUMN, EXPLODED VIEW, ASSY DOTS.



- NOTES: UNLESS OTHERWISE SPECIFIED:
- ⑪ ▲ STAMP PIVOT (ITEM 13) WITH PART NUMBER AND DATE CODE PER ES-121. LOCATE APPROXIMATELY AS SHOWN. ORIENTATION IS NOT IMPORTANT.
  - ▲ GASKET (ITEM 14) TO BE BAGGED LOOSE.
  - ▲ KNOB (ITEM 15) TO BE BAGGED UNASSEMBLED.
  - ▲ FINISH IS FOR REFERENCE ONLY.
  - ▲ SPRING (ITEM 7) ORIENTATION IS IMPORTANT.

PADDLE ASSEMBLY DETAIL

GASKET  
SCALE 0.500

UNLESS OTHERWISE SPECIFIED DIMS: ASME Y14.5M-1994 DIM MILLIMETER X, Y ±.1 X, Z ±.3 X, Y ±.05 X, Z ±.8 X, XX ±.010 X, XX ±.25 DIMS INCHES X, Y ±.005 X, Z ±.015 X, Y ±.005 X, Z ±.030		DRAWN BY: JPR 10/8/91 CHECKED BY: PROJECT: LA91049-2 PRODUCT CODE: C06 (030-0250) CUSTOMER: CUSTOMER PART NUMBER:	<b>TriMark</b> 580 Bailey Avenue P. O. Box 308 New Hampton, Iowa 50659 U.S.A. Tel: 641-394-1100 Fax: 641-394-2392 This drawing and the information contained herein is the property of TriMark Corporation and shall not be used for any purpose without our written consent.
DO NOT SCALE DRAWING REF: 1/8 OF 4 28-2 FOR SUP. QUALITY REQ. REF: 1/8 OF 4 28-2 FOR INT. QUALITY REQ.		ASSY HSG/PDL 4.3 LH.NLKG SIZE: D SCALE: 1.0 PART NUMBER: 12123-XX	DESCRIPTION: ASSY HSG/PDL 4.3 LH.NLKG SIZE: D SCALE: 1.0 PART NUMBER: 12123-XX