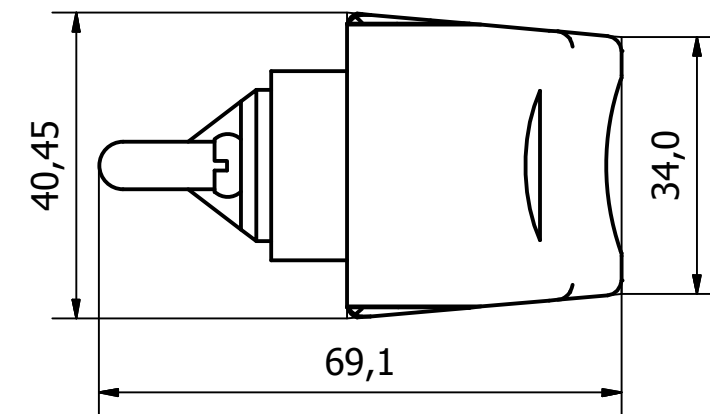
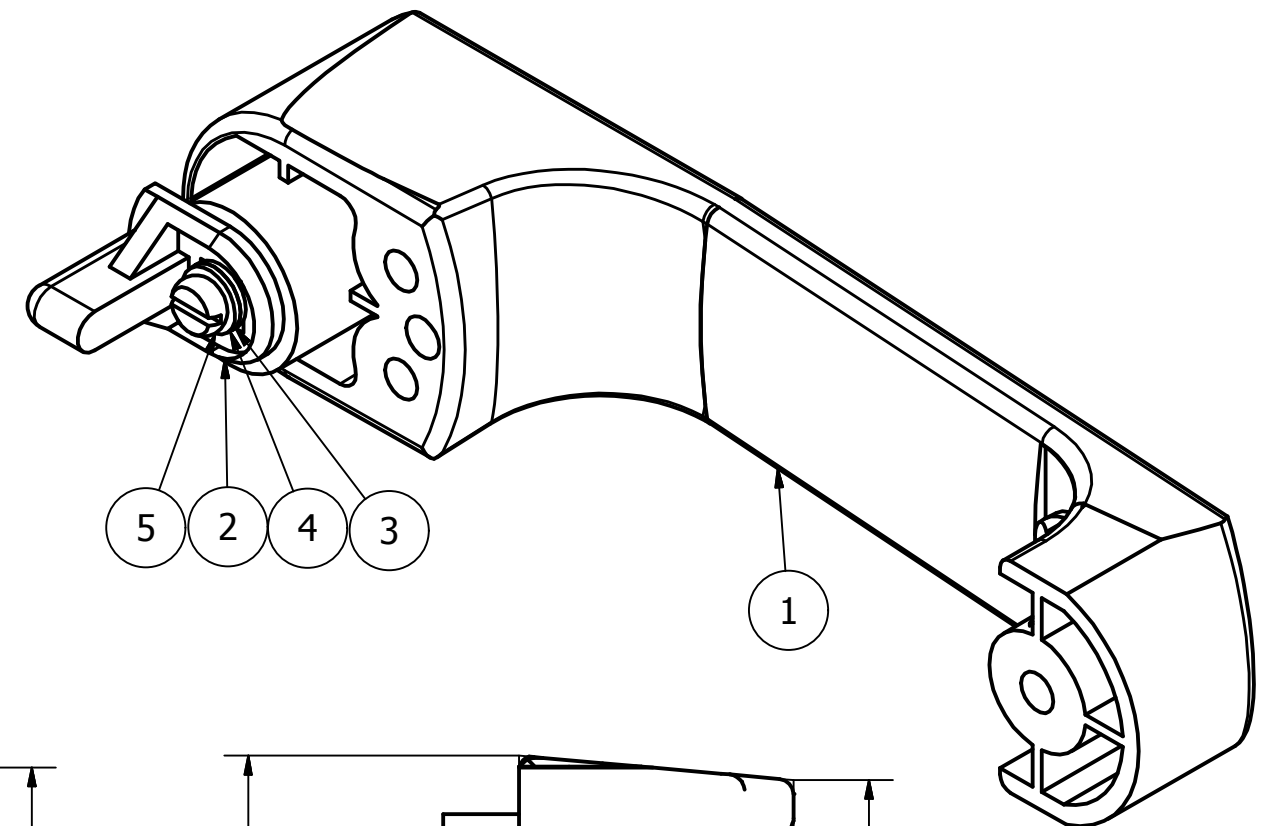


PARTS LIST			
ITEM	QTY	PART NUMBER	DESCRIPTION
1	1	9300-001-1	GLASS REINFORCED POLYESTER HANDLE
2	1	9300-001-2	M/STEEL STRIKER
3	1	9304-001-4	M/STEEL WASHER - 9.85 O/D
4	1	9304-001-5	M/STEEL LOCK WASHER - 9.85 O/D
5	1	9304-001-6	M/STEEL SCREW



PART No.	DESCRIPTION
9300/001	LOCKING PUSH BUTTON HANDLE, KEYED IN PAIRS
9300/002	LOCKING PUSH BUTTON HANDLE, KEYED ALIKE
9300/003	NON-LOCKING PUSH BUTTON HANDLE

NOTE:

BLACK, GLASS RE-INFORCED POLYESTER WITH A ZINC PLATED, MILD STEEL CAM.
CAN BE USED WITH "9301" LATCHES. STRIKER SCREW NOT TIGHTENED TO ALLOW SELECTION OF STROKER POSITION

GENERAL TOLERANCES ON LENGTHS
0.5 - 6 ± 0.1mm
6 - 30 ± 0.2mm
30 - 120 ± 0.3mm
120 - 400 ± 0.5mm
400 - 1000 ± 0.8mm
1000 - 1200 ± 1.2mm
2000 - 4000 ± 2.0mm

ALBERT JAGGER LTD
GREEN LANE
WALSALL PHONE: 01922 471000
WEST MIDLANDS FAX: 01922 648021
WS2 8HG

THIS DRAWING & THE DESIGN SHOWN ARE THE PROPERTY OF ALBERT JAGGER LTD AND MUST NOT BE USED OR COPIED BY A THIRD PARTY WITHOUT PERMISSION

DRAWN BY
U.F

CHECKED BY
A.P

SCALE
1 : 1

MATERIAL
SEE NOTE

MASS
0.052 kg

FINISH
SEE NOTE

Date
17/02/2017

ALL DIMS IN MM UNLESS STATED DO NOT SCALE

A3

1

1



EXTERIOR PUSH BUTTON HANDLE

9300-001

Edition
1

Sheet
1 / 1

1	VALIDATION COMPLETE	31/03/17	A.P
REV	DESCRIPTION	DATE	APPROVED