

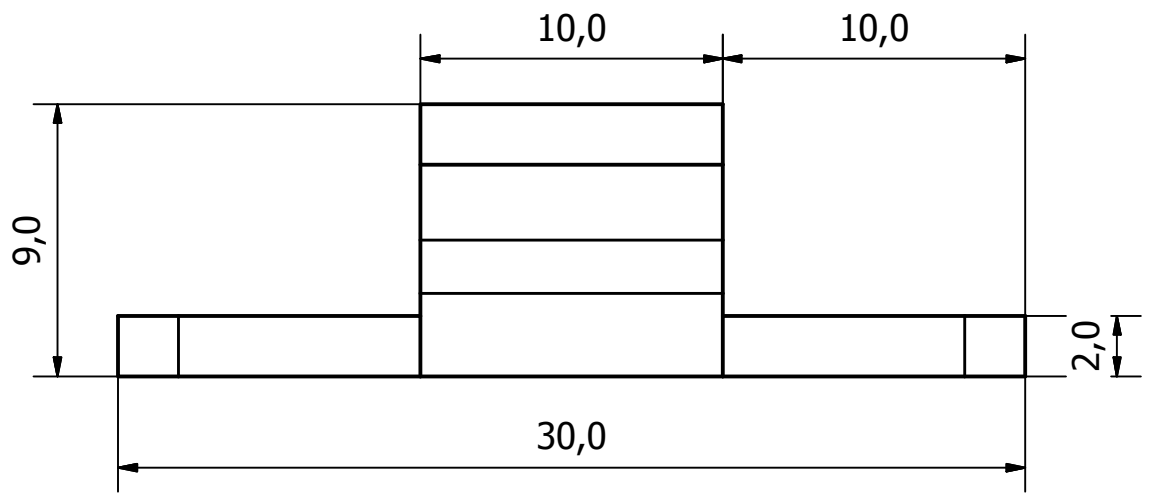
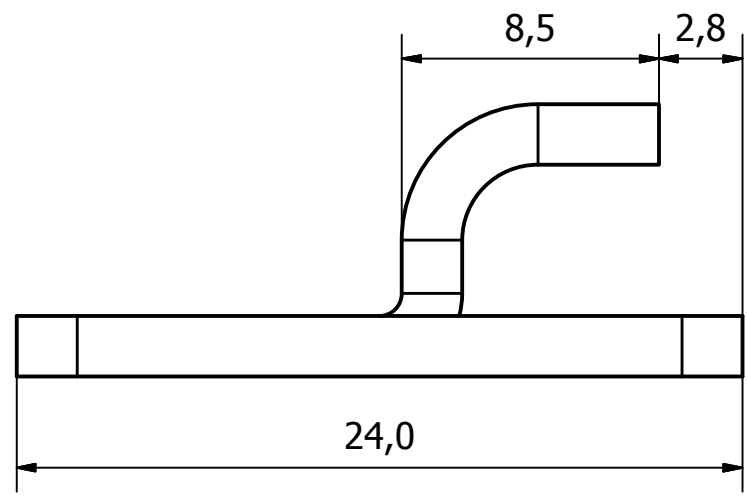
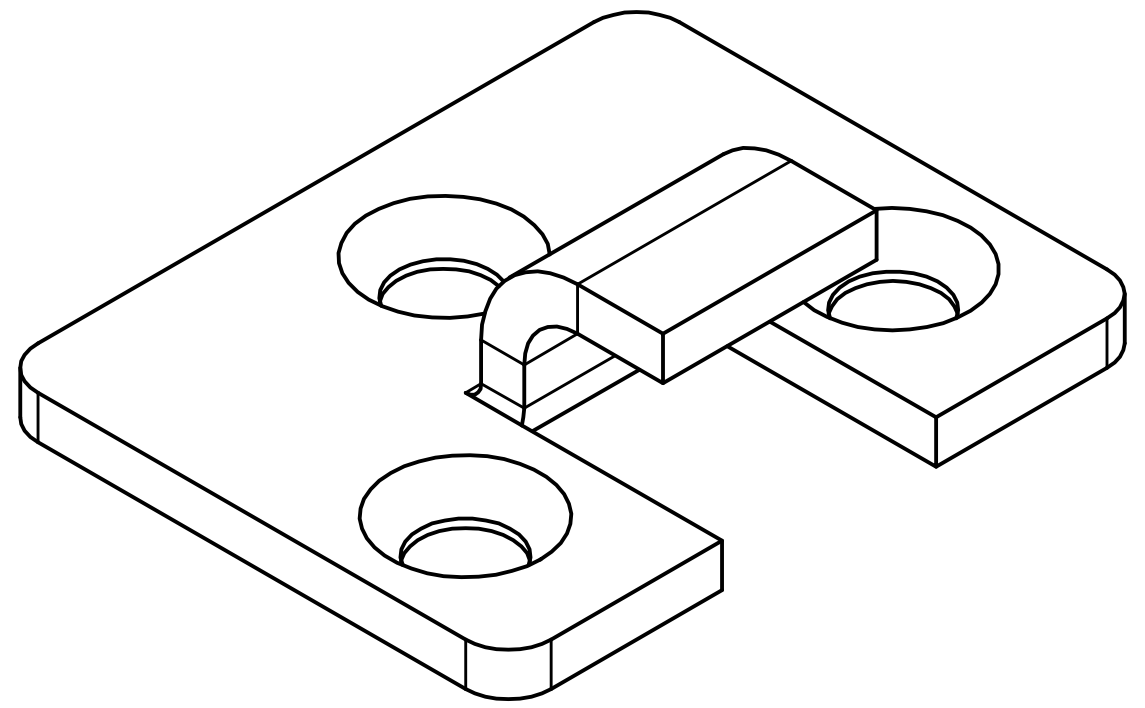
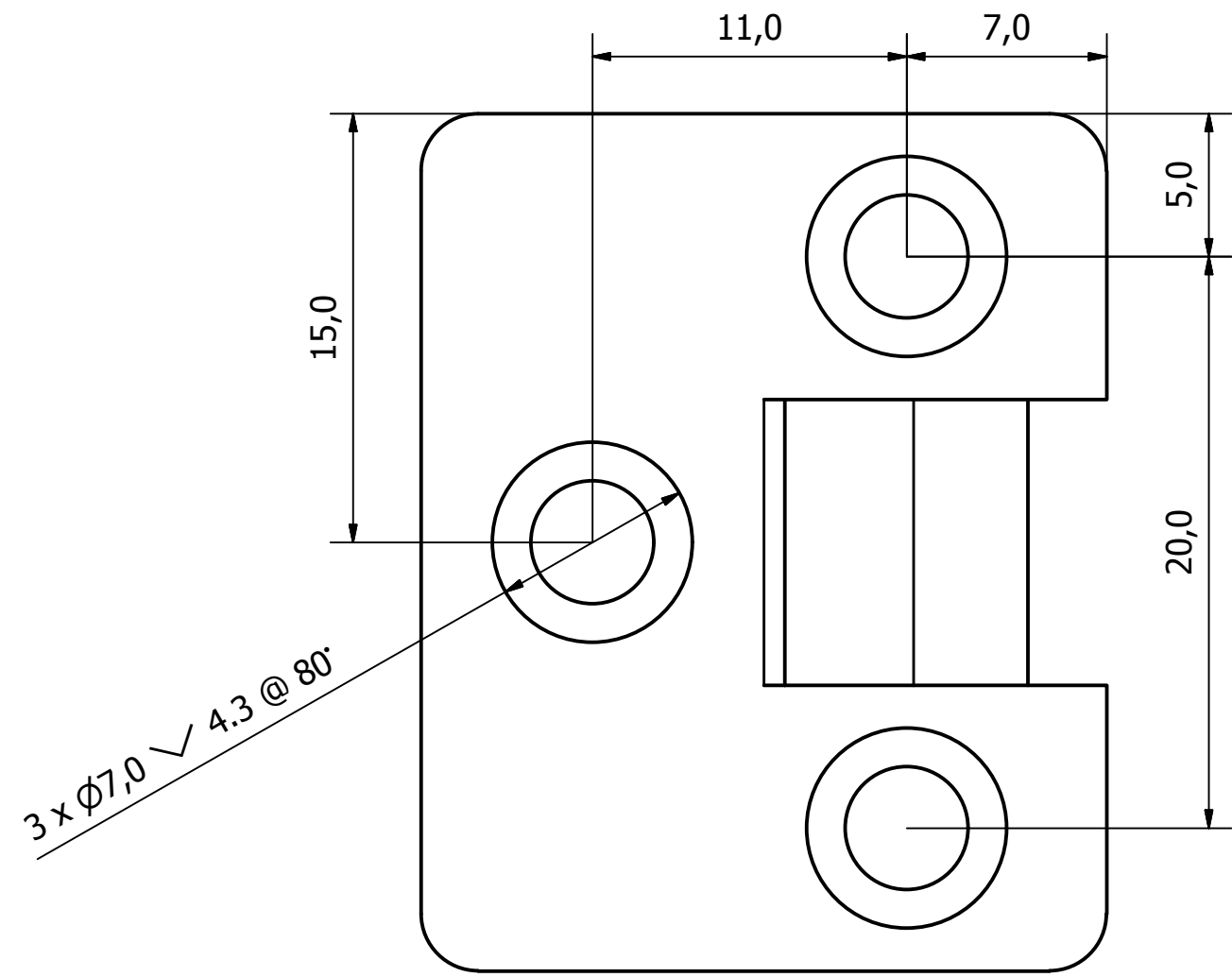
6 5 4 3 2 1

D D

C C

B B

A A



NOTE:  
FOR USE WITH:

9100/54020 - 701SC SERIES SMALL NON LOCKING OVERCENTRE FASTENER  
9100/54040 - 701LC SERIES SMALL LOCKING OVER CENTRE FASTENER

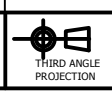
GENERAL TOLERANCES ON LENGTHS	
0.5 - 6 ± 0.1mm	
6 - 30 ± 0.2mm	
30 - 120 ± 0.3mm	
120 - 400 ± 0.5mm	
400 - 1000 ± 0.8mm	
1000 - 2000 ± 1.2mm	
2000 - 4000 ± 2.0mm	

ALBERT JAGGER LTD  
GREEN LANE  
WALSALL PHONE: 01922 471000  
WEST MIDLANDS FAX: 01922 648021  
WS2 8HG

THIS DRAWING & THE DESIGN SHOWN ARE THE PROPERTY OF ALBERT JAGGER LTD AND MUST NOT BE USED OR COPIED BY A THIRD PARTY WITHOUT PERMISSION

DRAWN BY  
U.F

CHECKED BY  
A.P



SCALE  
4 : 1

MATERIAL  
S/STEEL

MASS  
0.011 kg

FINISH  
ELECTRO-POLISHED

Date  
20/02/2018

ALL DIMS IN MM UNLESS STATED DO NOT SCALE

A3

1	VALIDATION COMPLETE	16/03/18	A.P
REV	DESCRIPTION	DATE	APPROVED



S/STEEL 15C SERIES SMALL STRIKER	
9100-54413	Edition 1 / Sheet 1 / 1

6 5 4 3 2 1