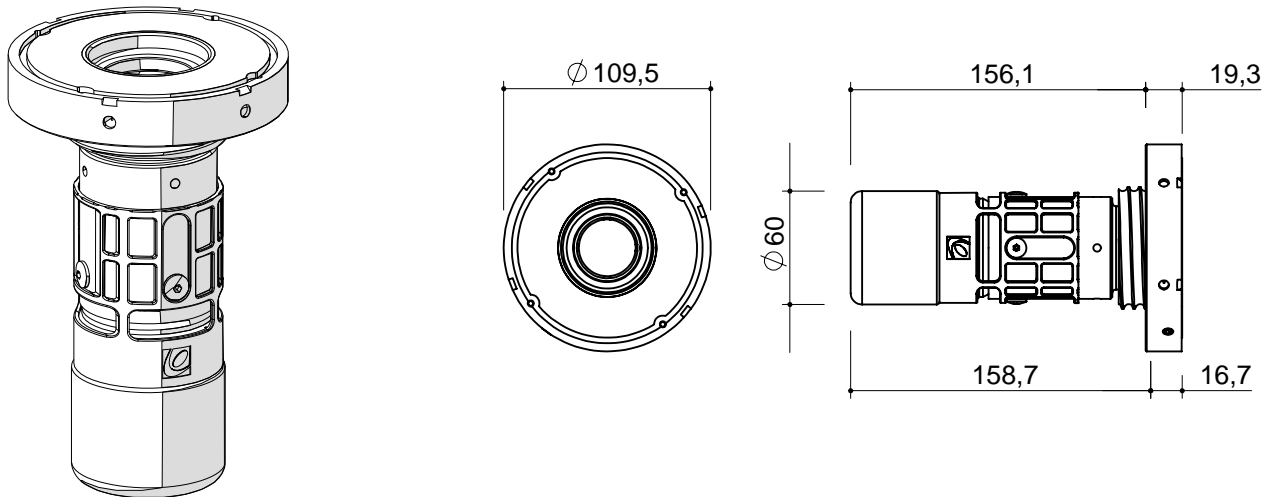


M2 BASE MODULE KOCKON ULTIMATE 80

Kockon 80 Mach II ULTIMATE sub assembly for neck mounting, ready to receive one of many different cap options as listed in accessories section of spec sheet. **CANNOT BE USED AS STANDALONE UNIT.**

For tanks with internal thread 80mm, like SCANIA. -SCANIA: all models -IVECO: Eurocargo having metal tank neck
 -JOHN DEERE: 5000-6000 -MASSEY FERGUSON: 4292 hd



CODE	DESCRIPTION
774516001	M2 BASE MODULE KOCKON ULTIMATE 80

TECHNICAL DATA

SPECIFICATIONS

Main body material	Aluminium
Cage/float/filter material	Acetalic resin and Polyethylene LD, suitable for immersion in the fuel
Gasket material	HNBR, suitable for imm
Finishing	Black Anodized
Weight	790 g
Fuel Flow Rate (lt/min)	120

PACKAGING

Package type	Carton box
Package dimensions (cm)	12x29x12
Package contents	Anti theft device, lid, adapter, multilanguage manual
Multipack	6 pcs in master carton box
Multipack dimensions (cm)	39x26x33

ACCESSORIES

code	item	description	qty
786015100	PL-CAP KIT FOR M2 BASE MODULE	Upgrade Kit which fits on Kockon Mach II base module. The kit is composed of an acetalic resin cap mounting ring which fixes using 4 screws (supplied with kit) and an o-ring which seats the cap mounting ring onto the upper plate of the Kockon. Includes a low profile locking cap with 105 type 2 point bayonet mount and bunjee chain allowing cap to dangle when open.	
786015101	XXL-CAP KIT W/LOCK FOR M2 XL BASE MODULE	Upgrade Kit which fits on Kockon Mach II base module. The kit is composed of a extra-extra low thermoplastic cap mounting ring which fixes using 4 screws (supplied with kit) and a dedicated gasket which seats the cap mounting ring onto the upper plate of the Kockon. Includes a low profile locking cap with automotive type 2 point bayonet mount and locking key.	

M2 BASE MODULE KOCKON ULTIMATE 80

ACCESSORIES

code	item	description	qty
786015102	XXL-CAP KIT FOR M2 XL BASE MODULE	Upgrade Kit which fits on Kockon Mach II base module. The kit is composed of a extra-extra low thermoplastic cap mounting ring which fixes using 4 screws (supplied with kit) and a dedicated gasket which seats the cap mounting ring onto the upper plate of the Kockon. Includes a low profile locking cap with automotive type 2 point bayonet mount, without lock.	
784515101	UNI-CAP KIT FOR M2 BASE MODULE	Upgrade kit for Kockon Mach II base modules. Consists of an aluminium high profile cap mounting ring and o ring seal for seating onto the upper plate of the Kockon base module. Made to allow use of the majority of original vehicle fuel caps which would normally not fit on Mach II Kockons due to their height.	
784516200	BE4P KIT FOR M2 BASE MODULE	Upgrade Kit which fits on Kockon Mach II base module. The kit is composed of an aluminium 4 point bayonet cap mounting ring which fixes using 4 screws (supplied with kit) and an o-ring which seats the cap mounting ring onto the upper plate of the Kockon. It allows use of the original die cast bayonet cap.	
786010010	ZIP SAFETY CAP UPGRADE KIT	Upgrade kit for Kockon Mach II base modules. Consists of a self closing ventilated fuel cap without lock which can be fitted through a rapid mounting procedure by the end user without having to remove the Kockon from its installed position.	
786010011	ZIP LOCK SAFETY CAP UPGRADE KIT	Upgrade kit for Kockon Mach II base modules. Consists of a self closing ventilated fuel cap with lock which can be fitted through a rapid mounting procedure by the end user without having to remove the Kockon from its installed position.	
786010019	ZIPPER WIRED UPGRADE KIT	Upgrade kit for Kockon Mach II base modules. Consists of a self closing ventilated fuel cap with a built in electronic activation switch and wire connection which can be used to trigger events upon fuel cap opening. Can be fitted through a rapid mounting procedure by the end user without having to remove the Kockon from its installed position.	
786010020	ZIPPER LOCK WIRED UPGRADE KIT	Upgrade kit for Kockon Mach II base modules. Consists of a self closing ventilated fuel cap with lock with a built in electronic activation switch and wire connection which can be used to trigger events upon fuel cap opening. Can be fitted through a rapid mounting procedure by the end user without having to remove the Kockon from its installed position.	
786010029	ZIPPER WIRELESS UPGRADE KIT	Upgrade kit for Kockon Mach II base modules. Consists of a self closing ventilated fuel cap without lock with a built in electronic activation switch and wireless transmitter which can be used to trigger events upon fuel cap opening. Includes its own receiver unit and buzzer which warns the vehicle cabin occupant of cap opening. Can be fitted through a rapid mounting procedure by the end user without having to remove the Kockon from its installed position. Must be purchased with one of the possible receiver unit options: 077351003 SMS ALERT UNIT FOR ZIPPER WIRELESS or 077351004 RECEIVER UNIT FOR ZIPPER WIRELESS	
786010030	ZIPPER LOCK WIRELESS UPGRADE KIT	Upgrade kit for Kockon Mach II base modules. Consists of a self closing ventilated fuel cap with lock with a built in electronic activation switch and wireless transmitter which can be used to trigger events upon fuel cap opening. Includes its own receiver unit and buzzer which warns the vehicle cabin occupant of cap opening. Can be fitted through a rapid mounting procedure by the end user without having to remove the Kockon from its installed position. Must be purchased with one of the possible receiver unit options: 077351003 SMS ALERT UNIT FOR ZIPPER WIRELESS 077351004 RECEIVER UNIT FOR ZIPPER WIRELESS	
054501012	GENESIS UNIVERSAL MOUNTING TOOL	Tool to assist installation of Kockon products	
051001122	Antireflux valve extraction tool for Scania tanks	Tool needed to extract the valve which is lodged in the tank neck before fitting anti siphon device to tank	
061020001	Fuel Pistol with 32mm nozzle	Manufactured by ZVA with 120 Lt/min flow capacity	

SPARE PARTS

code	item	description	qty
050707014	GASKET SCANIA 80 & 85 MODEL KOCKONS	Mounting seal Scania/85	

M2 BASE MODULE KOCKON ULTIMATE 80

SPARE PARTS

code	item	description	qty
584500002	M2 ADAPTER FOR 25MM DIA. FUEL NOZZLE	M2 Adapter for nozzle Ø 25 mm.	