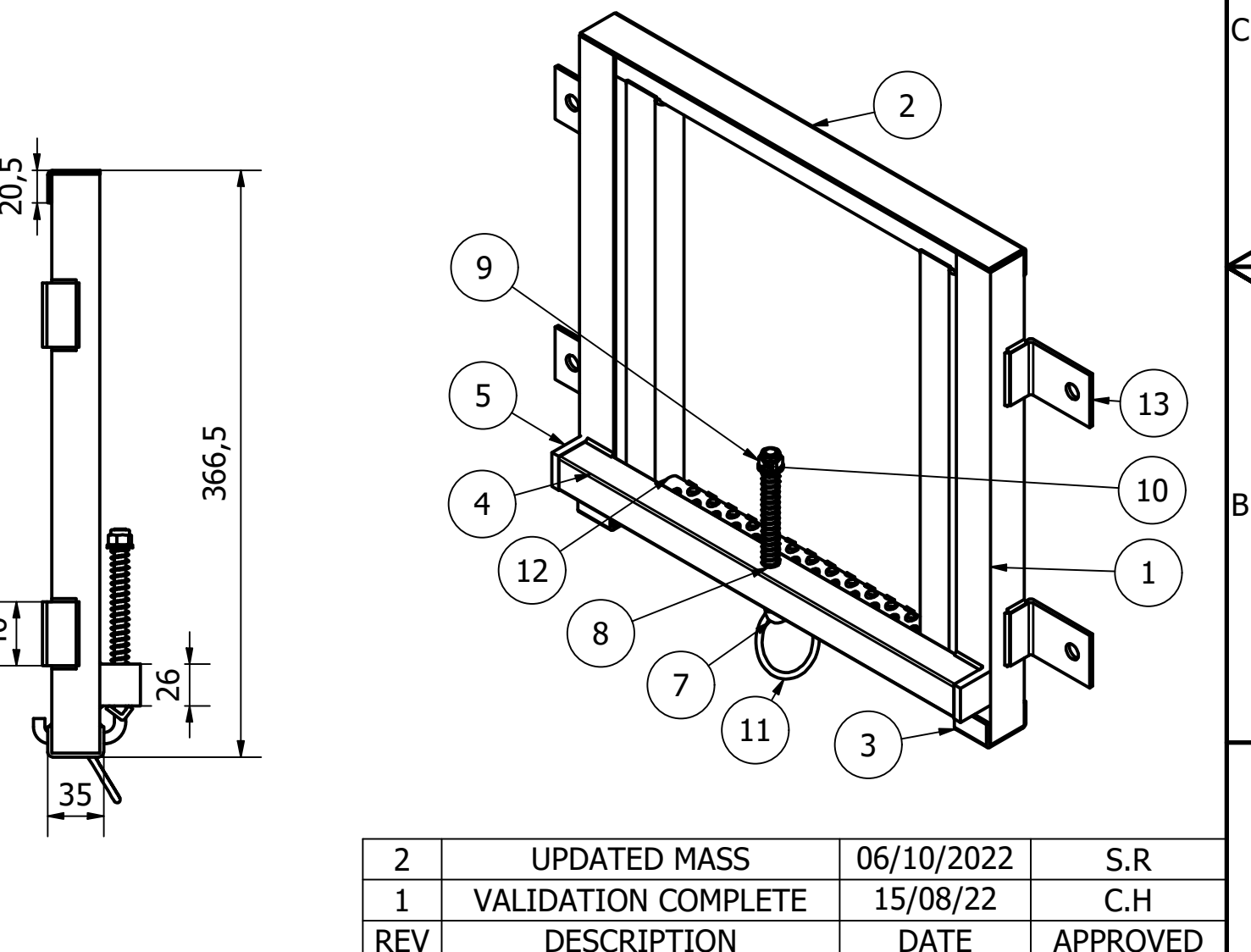
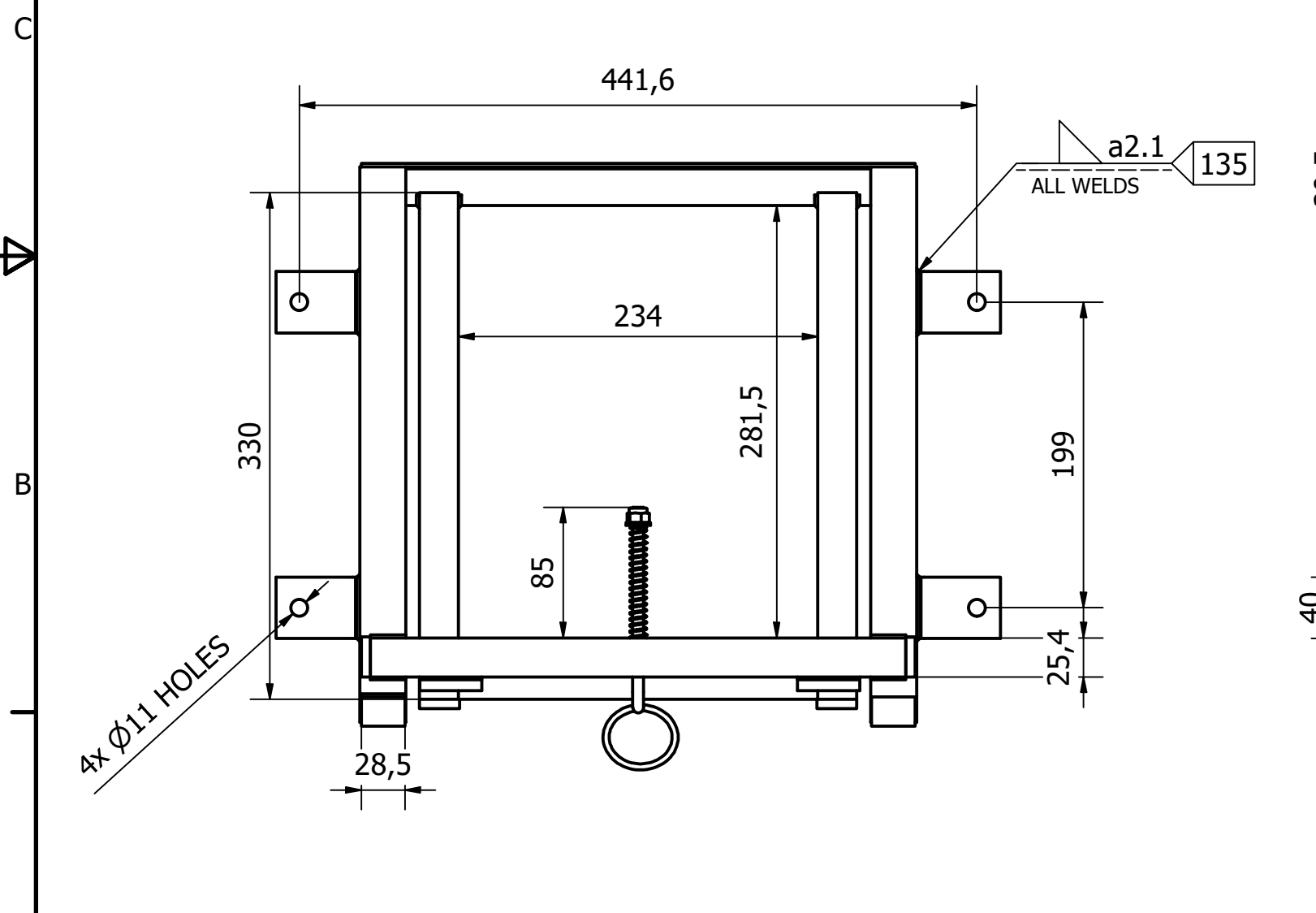


PARTS LIST			
ITEM	QTY	PART NUMBER	DESCRIPTION
1	2	AJ 0889-1	M/STEEL- UPRIGHT - Z/C PASSIVATE
2	1	AJ 0889-2	M/STEEL- TOP BRACKET BAR- Z/C PASSIVATE
3	2	AJ 0889-3	M/STEEL-BOTTOM WELD BRACKETS-Z/C PASSIVATE
4	1	AJ 0889-5	M/STEEL- CROSSBAR- Z/C PASSIVATE
5	2	AJ 0889-4	PLASTIC- END CAPS- BLACK
6	2	AJ 0888-6	M/STEEL SUPPORT BRACKETS- Z/C PASSIVATE
7	1	AJ 0888-9	M/STEEL- SPRING LOADED LOCKING PIN- Z/C PASSIVATE
8	1	4010-RESSORT	M/STEEL- SPRING
9	1	ECRO001S	M/STEEL - BOLT- NATURAL
10	1	ROND068S	M/STEEL - WASHER - NATRUAL
11	1	AJ 0888-10	M/STEEL-O-RING- HANDLE
12	1	AJ 0889-8	M/STEEL- STEP LADDER - Z/C PASSIVATE
13	4	AJ 0889-9	M/STEEL- MOUNTING BRACKETS- Z/C PASSIVATE



REV	DESCRIPTION	DATE	APPROVED
2	UPDATED MASS	06/10/2022	S.R
1	VALIDATION COMPLETE	15/08/22	C.H

<b>GENERAL TOLERANCES ON LENGTHS</b> 0.5 - 6 ± 0.1mm 6 - 30 ± 0.2mm 30 - 120 ± 0.3mm 120 - 400 ± 0.5mm 400 - 1000 ± 0.8mm 1000 - 2000 ± 1.2mm 2000 - 4000 ± 2.0mm	<b>ALBERT JAGGER LTD</b> GREEN LANE WALSALL      PHONE: 01922 471000 WEST MIDLANDS      FAX: 01922 648021 WS2 8HG  THIS DRAWING & THE DESIGN SHOWN ARE THE PROPERTY OF ALBERT JAGGER LTD AND MUST NOT BE USED OR COPIED BY A THIRD PARTY WITHOUT PERMISSION	DRAWN BY S.R	CHECKED BY C.H	SCALE 1 : 4	MATERIAL SEE TABLE	MASS 3.78 kg	FINISH SEE TABLE	Date 11/08/2022	ALL DIMS IN MM UNLESS STATED DO NOT SCALE	A3
		<b>albert Jagger</b>		<b>RETRACTABLE UNDERBODY ACCESS STEP</b>		6688-681116001	Edition 2	Sheet 1 / 1		