
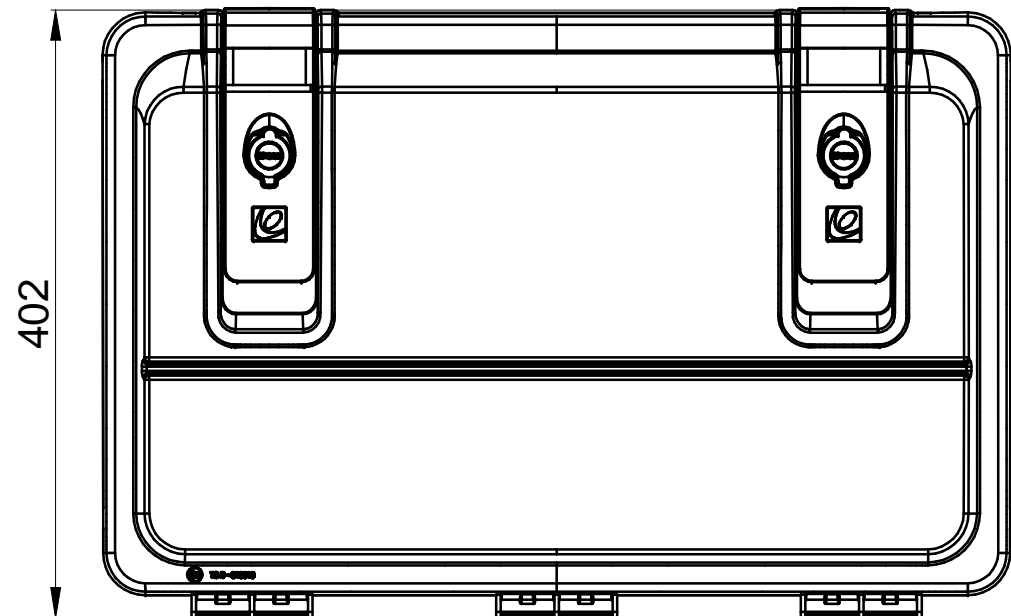
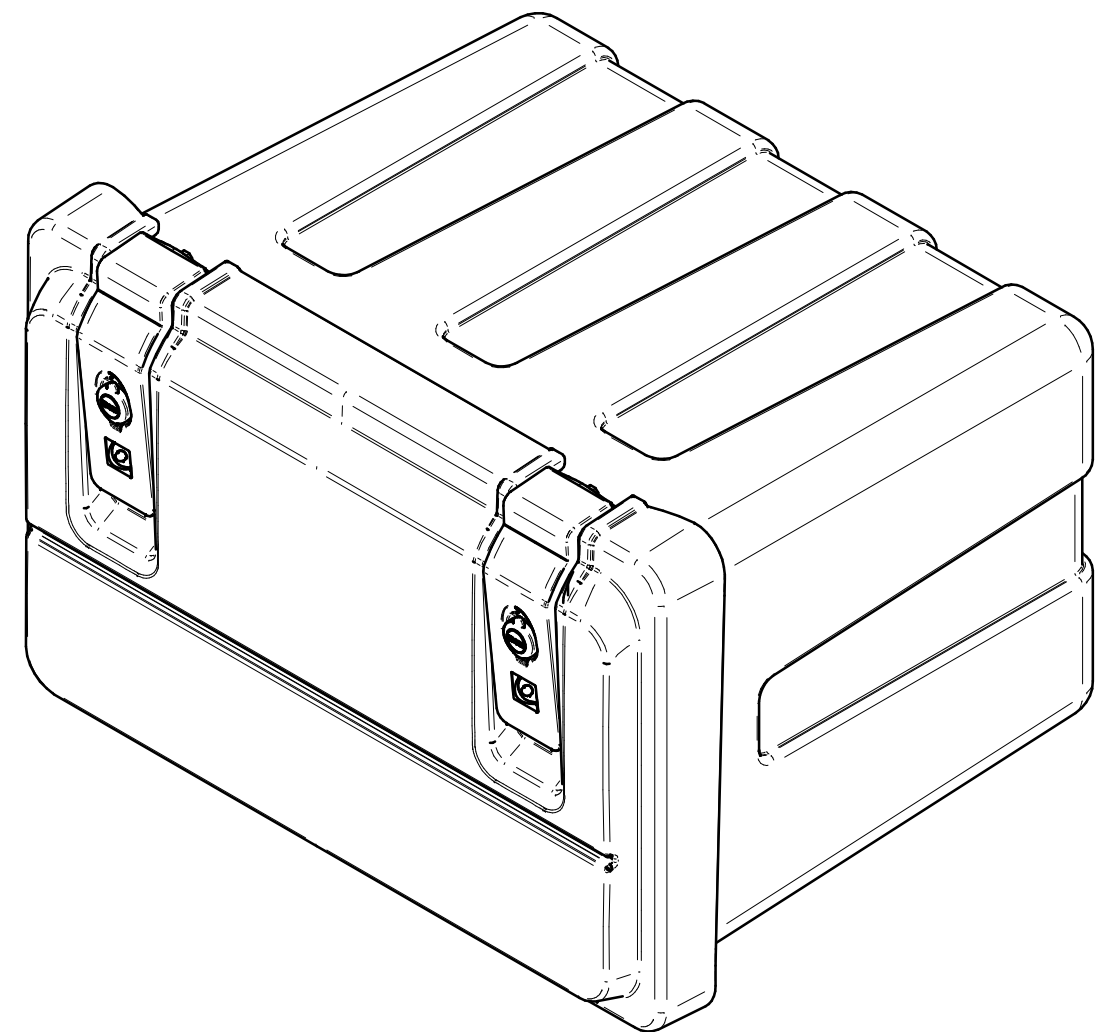
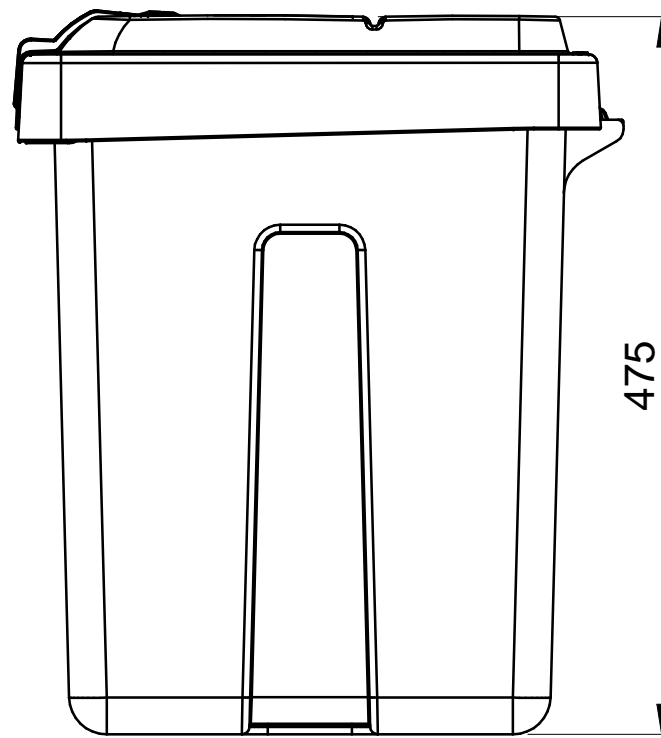
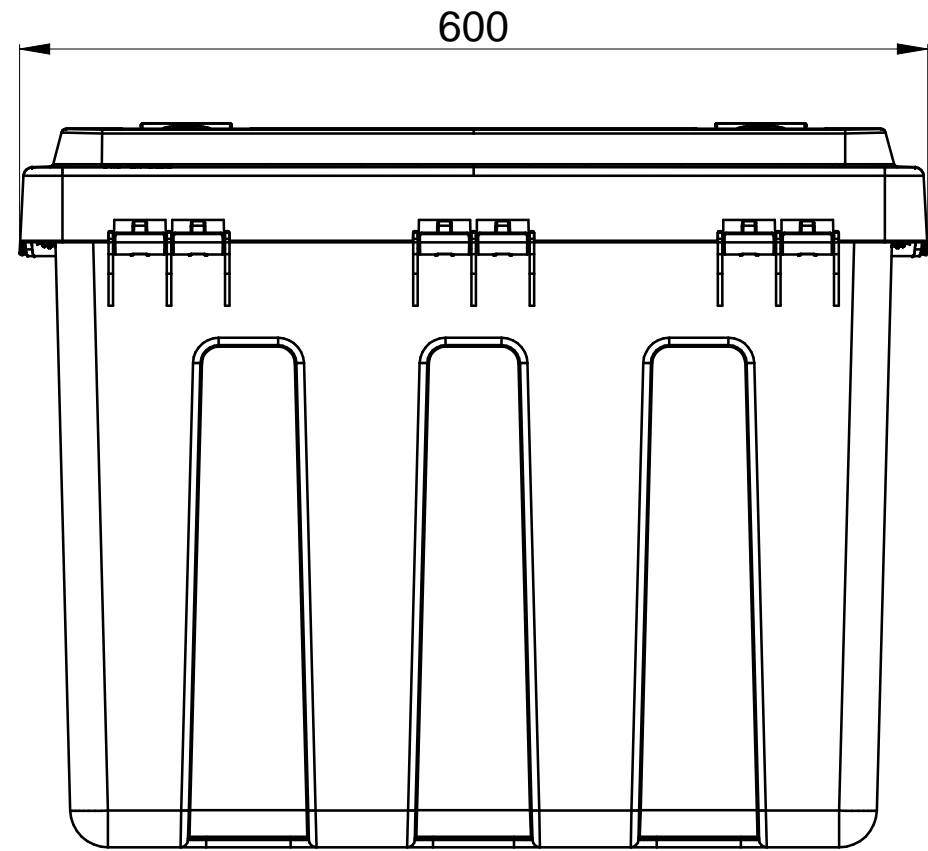


ACCURACY				REVIEW	N°2	DATE	DESCRIPTION	DRAFTSMAN
LINEAR DIMENSIONS								
to 6	±0.1	from 6 to 30	±0.2	from 30 to 120	±0.3	from 120 to 315	±0.5	
from 315 to 1000	±0.8	from 1000 to 2000	±1.2	from 2000 to 4000	±2.0	from 4000	±3.0	
ANGULAR DIMENSIONS				MATERIAL		TREATMENT	DRAFTSMAN	
from 6	±1°	to 6	±30'	from 30 to 120	±20'	from 120	±10'	<b>Marco Simion</b>
				SCALE		CREATION DATE	SET	
Lago Accessori srl				1 : 5		25/05/2020	DRAWING CODE	
via 1°Maggio 20, 35014 Fontaniva (Pd) Italy				SHEET			DESCRIPTION	
Tel: +39 049 5940932 Fax: +39 049 5940599				1/2			600 MOTHER TRUCKER	
www.lagoaccessori.net info@lagoaccessori.net							DESCRIPTION OF FINISHED PRODUCT	



SPESSORE MEDIO / THICKNESS MIDDLE : 3,5mm

ACCURACY				REVIEW	N°2	DATE	DESCRIPTION	DRAFTSMAN
LINEAR DIMENSIONS								
to 6	±0.1	from 6 to 30	±0.2	from 30 to 120	±0.3	from 120 to 315	±0.5	
from 315 to 1000	±0.8	from 1000 to 2000	±1.2	from 2000 to 4000	±2.0	from 4000	±3.0	
ANGULAR DIMENSIONS				MATERIAL		TREATMENT	DRAFTSMAN	
from 6	±1°	to 6 from 30	±30'	from 30 to 120	±20'	from 120	±10'	<b>Marco Simion</b>
LAGO				Polypropylene		CREATION DATE	SET	
Lago Accessori srl				SCALE		25/05/2020	DRAWING CODE	
via 1°Maggio 20, 35014 Fontaniva (Pd) Italy				1 : 5			44 60 62 090.asm	
Tel: +39 049 5940932 Fax: +39 049 5940599				SHEET			DESCRIPTION	
www.lagoaccessori.net info@lagoaccessori.net				2/2			600 MOTHER TRUCKER	
							DESCRIPTION OF FINISHED PRODUCT	