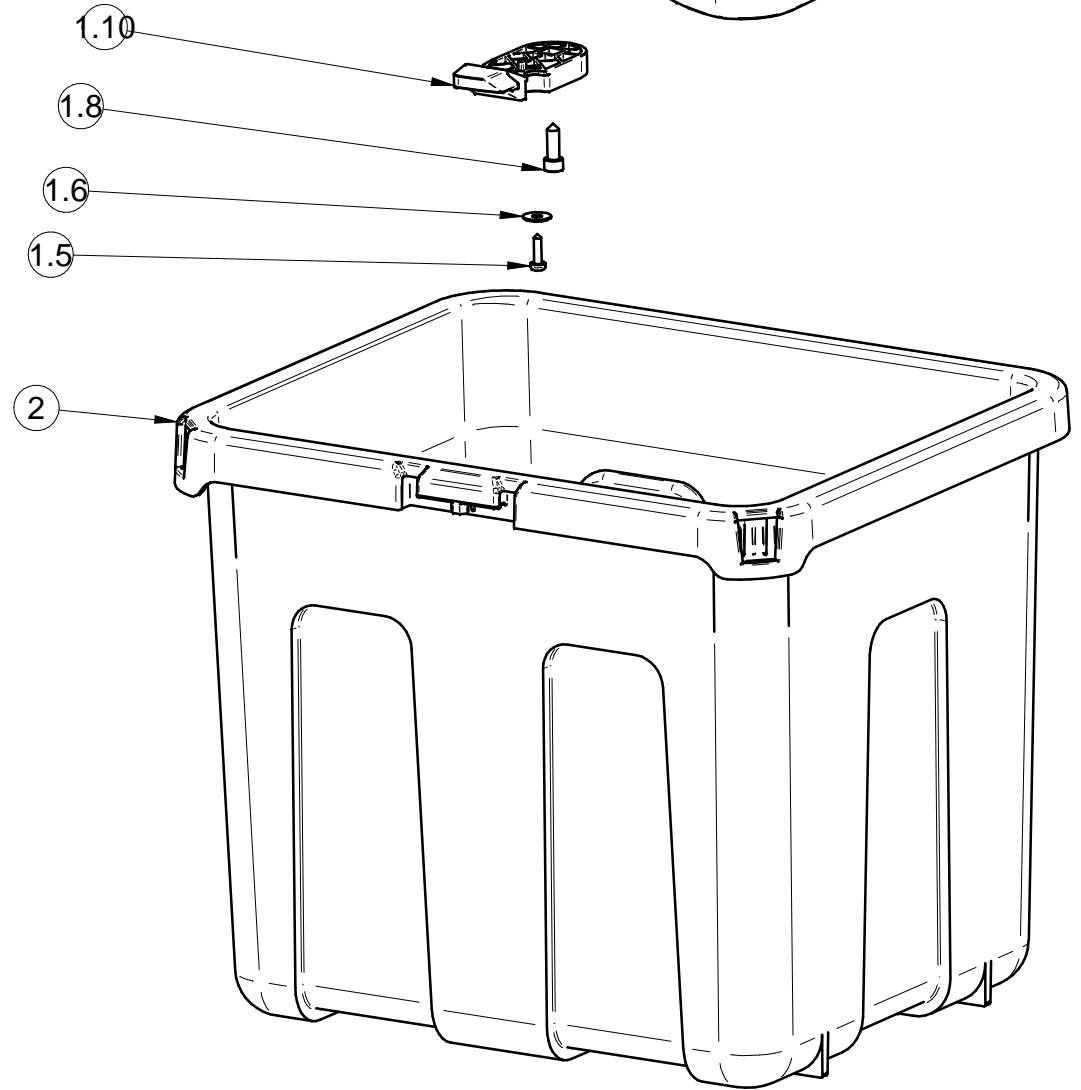
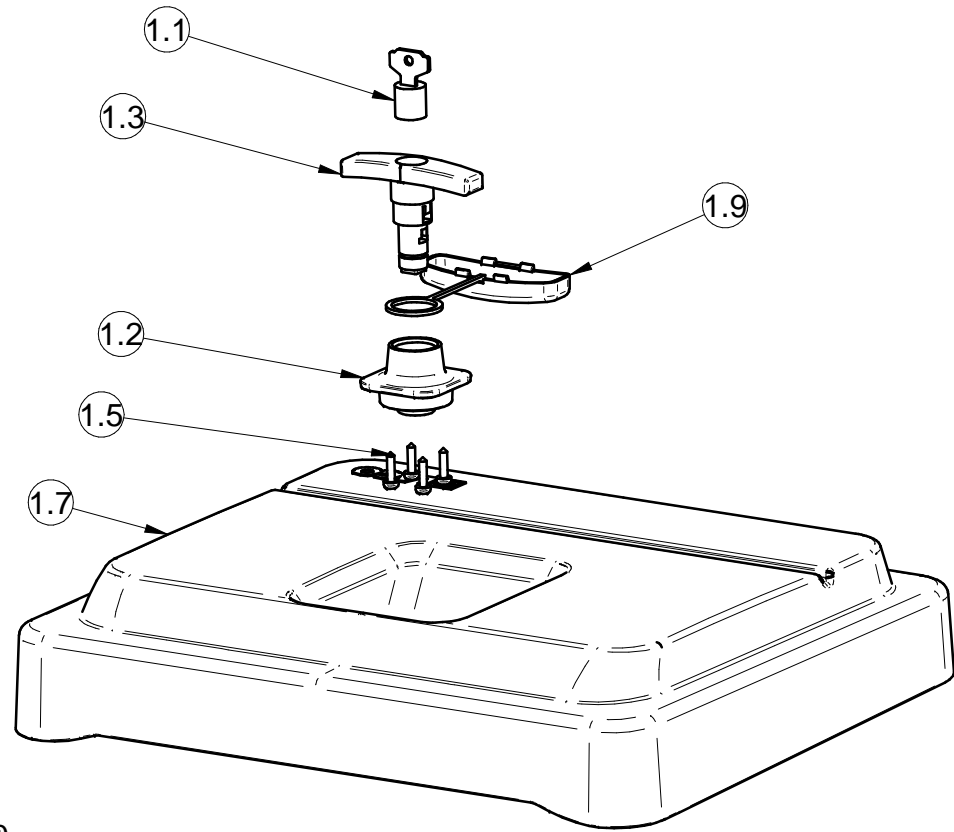


ACCURACY				REVIEW	N°2	DATE	DESCRIPTION	DRAFTSMAN
LINEAR DIMENSIONS								
to 6	±0.1	from 6 to 30	±0.2	from 30 to 120	±0.3	from 120 to 315	±0.5	
from 315 to 1000	±0.8	from 1000 to 2000	±1.2	from 2000 to 4000	±2.0	from 4000	±3.0	
ANGULAR DIMENSIONS				MATERIAL		TREATMENT	DRAFTSMAN	
from 6	±1°	to 6	±30'	from 30 to 120	±20'	from 120	±10'	<b>Polypropylene</b>
				CREATION DATE		SET		
				28/02/2022		DRAWING CODE		
				1:1		446064116.asm		
				SHEET		DESCRIPTION		
				1/2		ORIGIN 400		
						DESCRIPTION OF FINISHED PRODUCT		
						446064116		

**LAGO**  
 Lago Accessori srl  
 via 1°Maggio 20, 35014 Fontaniva (Pd) Italy  
 Tel: +39 049 5940932 Fax: +39 049 5940599  
 www.lagoaccessori.net info@lagoaccessori.net



DISTINTA PARTI				
POS.	NOME FILE	DESCRIZIONE	MATERIALE	Q.TA'
1	456064116	COPERCHIO ORIGIN 400 ASS.		1
1.1	051104002	SERRATURA BD ROTORE+STATORE+2CH ST/COMB BD		1
1.2	050902057	BOCCOLA PER MANIGLIA ORIGIN	PA6 30 GF	1
1.3	050904005	MANIGLIA LISCIA C/FORO (MERONI)	PA6 30 GF	1
1.4	050902059	LEVA CHIUSURA MANIGLIA ORIGIN 400 PLASTICA	PA6+30GF	1
1.5	081101012	VITE TRUCC.TC 4X16 ZN	Fe360	5
1.6	081103003	RONDELLA UNI 6593 M5X15 ZN	Fe360	1
1.7	456065116	COPERCHIO ORIGIN 400 STAMPATO	POLIPROPILENE	1
1.8	081101030	VITE TRUCIOLARE TCCE 6,3X19 ZN MANIG.BD	Fe360	1
1.9	050902006	COPRIMANIGLIA IN PLASTICA NERA	POLIPROPILENE	1
2	466015116_NA	CORPO CASSA 400	POLIPROPILENE	1

<b>ACCURACY</b> LINEAR DIMENSIONS <table border="1"> <tr> <td>to 6</td> <td>±0.1</td> <td>from 6 to 30</td> <td>±0.2</td> <td>from 30 to 120</td> <td>±0.3</td> <td>from 120 to 315</td> <td>±0.5</td> </tr> <tr> <td>from 315 to 1000</td> <td>±0.8</td> <td>from 1000 to 2000</td> <td>±1.2</td> <td>from 2000 to 4000</td> <td>±2.0</td> <td>from 4000</td> <td>±3.0</td> </tr> </table>				to 6	±0.1	from 6 to 30	±0.2	from 30 to 120	±0.3	from 120 to 315	±0.5	from 315 to 1000	±0.8	from 1000 to 2000	±1.2	from 2000 to 4000	±2.0	from 4000	±3.0	REVIEW N°2 DATE . DESCRIPTION . DRAFTSMAN .
to 6	±0.1	from 6 to 30	±0.2	from 30 to 120	±0.3	from 120 to 315	±0.5													
from 315 to 1000	±0.8	from 1000 to 2000	±1.2	from 2000 to 4000	±2.0	from 4000	±3.0													
ANGULAR DIMENSIONS <table border="1"> <tr> <td>from 6</td> <td>±1°</td> <td>to 6 from 30</td> <td>±30'</td> <td>from 30 to 120</td> <td>±20'</td> <td>from 120</td> <td>±10'</td> </tr> </table>				from 6	±1°	to 6 from 30	±30'	from 30 to 120	±20'	from 120	±10'	REVIEW N°1 DATE . DESCRIPTION . DRAFTSMAN .								
from 6	±1°	to 6 from 30	±30'	from 30 to 120	±20'	from 120	±10'													
MATERIAL <b>Polypropylene</b>		TREATMENT	DRAFTSMAN <b>Paolo Livio</b>																	
<b>LAGO</b> Lago Accessori srl via 1°Maggio 20, 35014 Fontaniva (Pd) Italy Tel: +39 049 5940932 Fax: +39 049 5940599 www.lagoaccessori.net info@lagoaccessori.net		CREATION DATE 28/02/2022	SET DRAWING CODE 446064116.asm DESCRIPTION ORIGIN 400 DESCRIPTION OF FINISHED PRODUCT 446064116																	
SCALE <b>1 : 1</b>		SHEET 2/2																		

LAGO ACCESSORI COPYRIGHT. ANY RIPRODUCTION WITHOUT WRITTEN PERMISSION OF LAGO ACCESSORI IS FORBIDDEN