

A IF IN DOUBT ASK

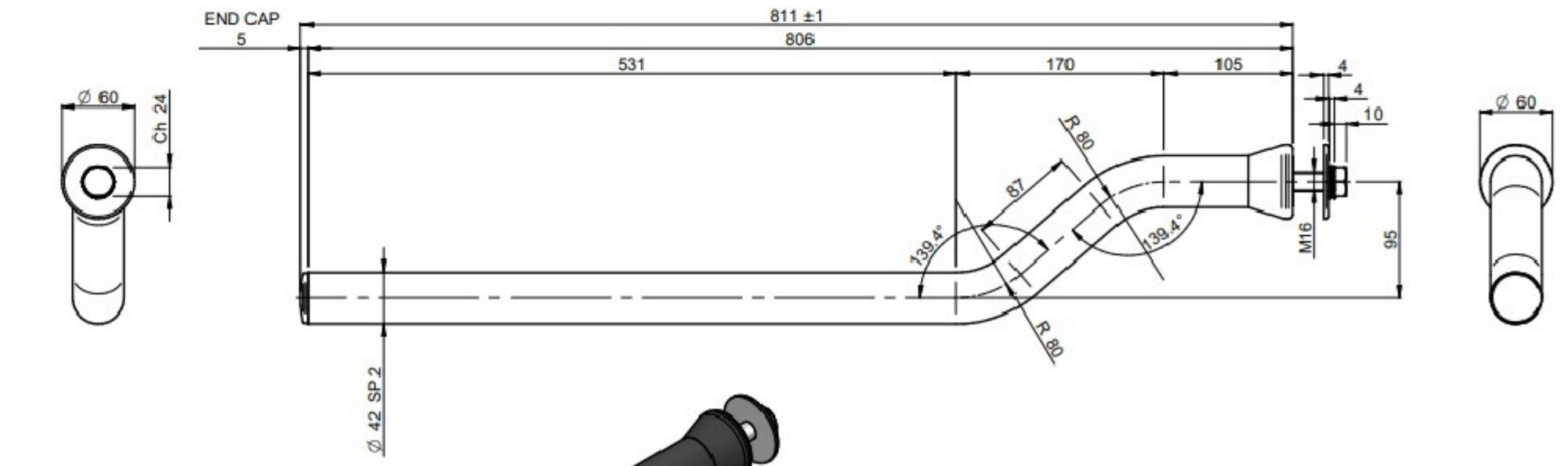
B

C

D

E

F



ZONE	REV.	DESCRIPTION	DATE	APPROVED
	1	VALIDATION COMPLETE	08/02/2024	AP

REVISIONS

UNLESS OTHERWISE STATED, ALL DIMENSIONS IN mm

TOLERANCES		SURFACE FINISH 1.6µm Ra	
0.5 - 6	= ±0.1mm	FILLET RADII	0.5 TO 1.0
6 - 30	= ±0.2 mm	SQUARENESS	0.05 IN 25
30 - 120	= ±0.3 mm	PARALLELISM	0.05 IN 25
120 - 400	= ±0.5 mm	RUNOUT	0.1
400 - 1000	= ±0.8 mm	ANGLES	±0.5°
1000 - 2000	= ±1.2 mm		
2000 - 4000	= ±2.0 mm		

MATERIAL: IRON  
 MASS: 2.371  
 FINISH: BLACK- RAL9005

DRAWN BY: L.B.H  
 CHECKED BY: U.F  
 DESCRIPTION: WINGSTAY CRANKED 42MM X 811MM BLACK SINGLE BOLT FIX (TOOBEE)

A3

APPROVED BY: A.P  
 ORIGINATION DATE: 06/02/2024

NUMBER: 6688-182001010  
 REVISION: 1  
 SHEET: 1 of 1  
 SCALE : PROPORTIONAL - DO NOT SCALE  
 REF SCALE 1:2 WHEN PRINTED ON A3

PROJECTION 3rd ANGLE

PROPRIETARY RIGHTS ARE INCLUDED IN THE INFORMATION DISCLOSED HEREIN. NEITHER THIS DOCUMENT NOR ANY INFORMATION DISCLOSED SHALL BE REPRODUCED, USED, TRANSFERRED TO OTHER DOCUMENTS, OR DISCLOSED TO OTHERS FOR ANY PURPOSE INCLUDING MANUFACTURING UNLESS SPECIFICALLY AUTHORISED IN WRITING  
 REMOVE ALL SHARP EDGES AND BURRS  
 PART FINISHING AND MARKING TO CESF001

