

A IF IN DOUBT ASK

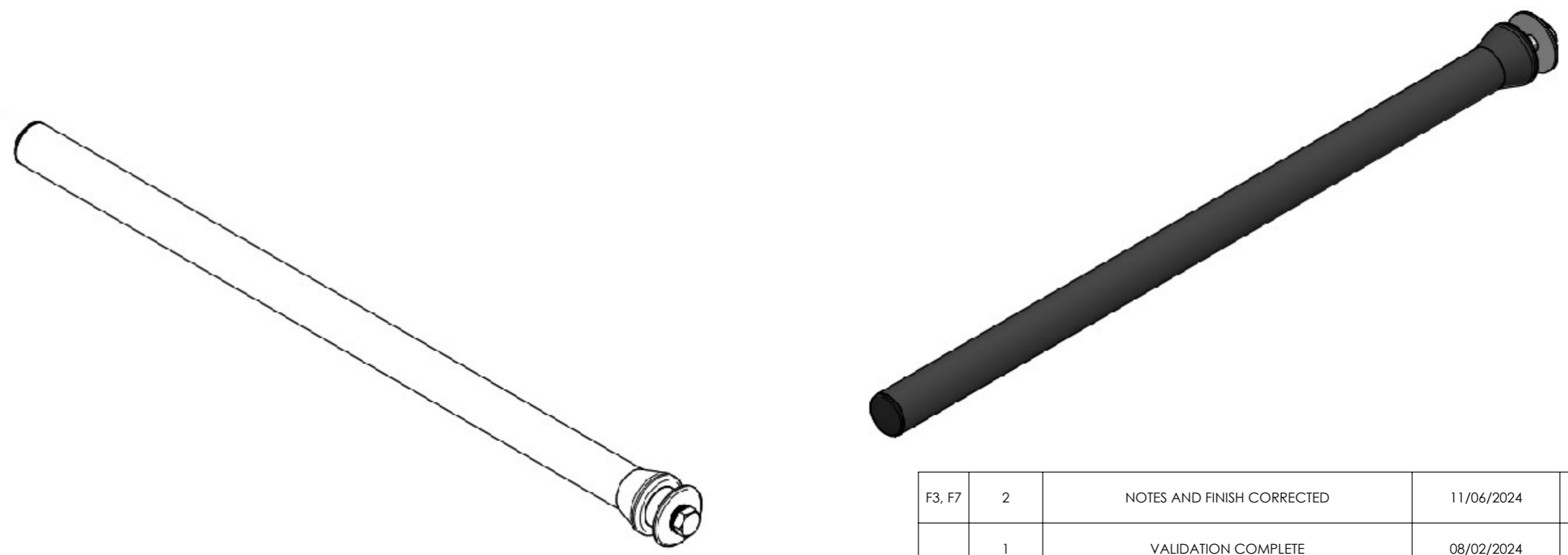
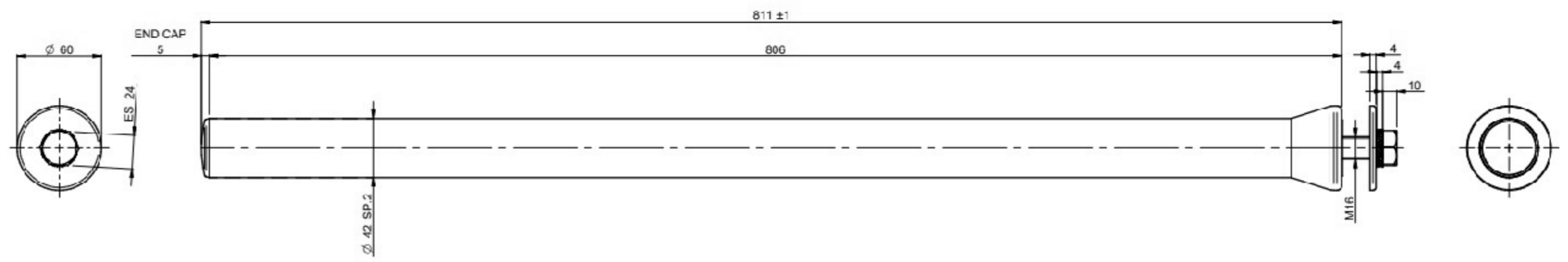
B

C

D

E

F



ZONE	REV.	DESCRIPTION	DATE	APPROVED
F3, F7	2	NOTES AND FINISH CORRECTED	11/06/2024	L.B.H
	1	VALIDATION COMPLETE	08/02/2024	A.P

REVISIONS

NOTE:
 THIS PRODUCT HAS BEEN SALT SPRAY CORROSION TESTED TO 480hrs TO STANDARD ISO 9227

UNLESS OTHERWISE STATED, ALL DIMENSIONS IN mm

TOLERANCES	SURFACE FINISH	FILLET RADII
0.5 - 6 = ±0.1mm	1.6µm Ra	0.5 TO 1.0
6 - 30 = ±0.2 mm		
30 - 120 = ±0.3 mm		
120 - 400 = ±0.5 mm		
400 - 1000 = ±0.8 mm		
1000 - 2000 = ±1.2 mm		
2000 - 4000 = ±2.0 mm		

MATERIAL: S235JR Steel	DRAWN BY: L.B.H	DESCRIPTION: WINGSTAY STRAIGHT 42MM X 811MM BLACK SINGLE BOLT FIX (TOOBEE)	A3
MASS: 2.312	CHECKED BY: U.F	NUMBER: 6688-162001120	

FINISH: GALVANISED + BLACK EPOXY	APPROVED BY: A.P	REVISION: 2	SHEET: 1 of 1
	ORIGINATION DATE: 06/02/2024	SCALE : PROPORTIONAL - DO NOT SCALE REF SCALE 1:2 WHEN PRINTED ON A3	

PROPRIETARY RIGHTS ARE INCLUDED IN THE INFORMATION DISCLOSED HEREIN. NEITHER THIS DOCUMENT NOR ANY INFORMATION DISCLOSED SHALL BE REPRODUCED, USED, TRANSFERRED TO OTHER DOCUMENTS, OR DISCLOSED TO OTHERS FOR ANY PURPOSE INCLUDING MANUFACTURING UNLESS SPECIFICALLY AUTHORISED IN WRITING
 REMOVE ALL SHARP EDGES AND BURRS
 PART FINISHING AND MARKING TO CESF001

