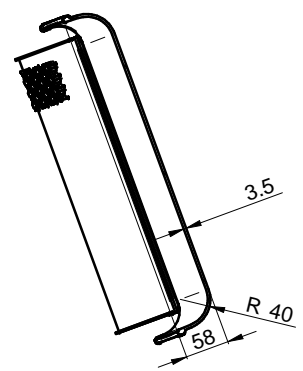
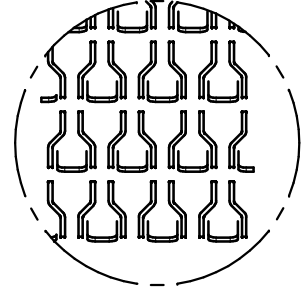


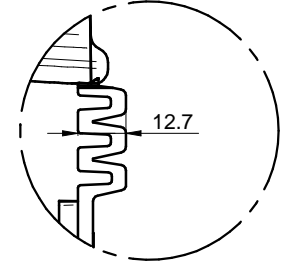
SEZIONE A-A



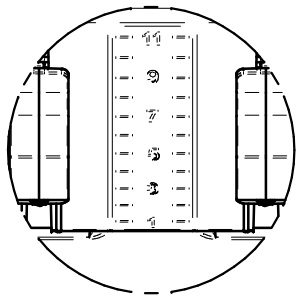
DETTAGLIO A



DETTAGLIO B



DETTAGLIO C



DETTAGLIO D

ACCURACY LINEAR DIMENSIONS				REVIEW N°2 N°1	DATE .	DESCRIPTION .	DRAFTSMAN .
±0.1 from 6 to 6 from 315 to 1000	±0.2 from 30 to 1000	±0.3 from 120 to 2000	±0.5 from 315 to 4000		DATE 31/07/2015	DESCRIPTION Updated the geometry	DRAFTSMAN Manuele Ferraro
ANGULAR DIMENSIONS				MATERIAL PP + PA6 FV		TREATMENT .	DRAFTSMAN Manuel Pillan
±1° from 6 to 30	±30' from 30 to 120	±20' from 120 to 120	±10' from 120 to 120	CREATION DATE 19/12/2016	SET DRAWING CODE 156011170.asm		
				SCALE 1 : 10	DESCRIPTION 1/2 PAR.700X450 KOMPLEET 250 CODE AND DESCRIPTION OF FINISHED PRODUCT		
Lago Accessori srl via 1°Maggio 20, 35014 Fontaniva (Pd) Italy Tel: +39 049 5940932 Fax: +39 049 5940599 www.lagoaccessori.net info@lagoaccessori.net				SHEET 1/2			
LAGO ACCESSORI COPYRIGHT. ANY RIPRODUCTION WITHOUT WRITTEN PERMISSION OF LAGO ACCESSORI IS FORBIDDEN							