

1

2

3

4

5

6

A

A

B

B

C

C

D

D

E

E

F

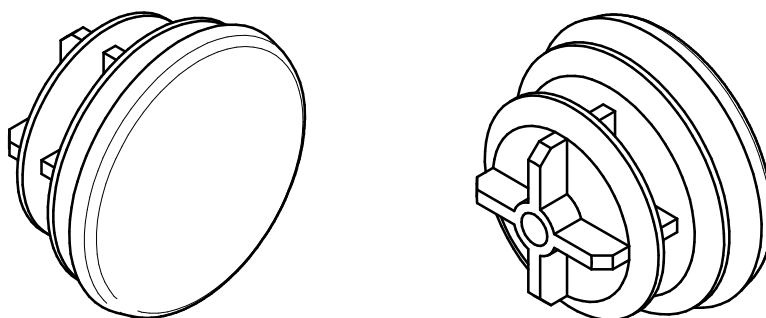
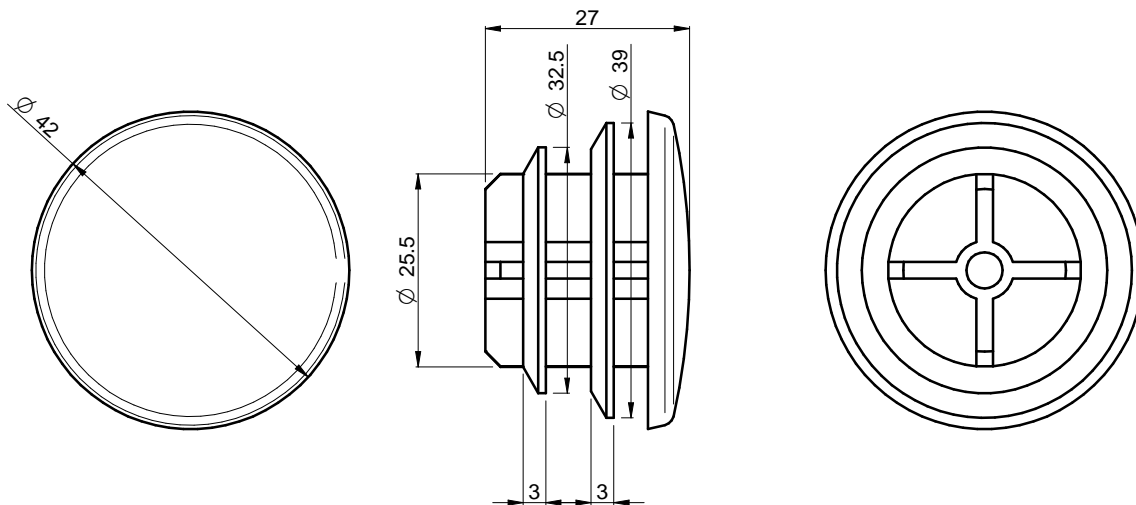
F

G

G

H

H




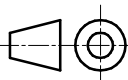
ACCURACY
LINEAR DIMENSIONS

to 6	±0.1	from 6 to 30	±0.2	from 30 to 120	±0.3	from 120 to 315	±0.5
from 315 to 1000	±0.8	from 1000 to 2000	±1.2	from 2000 to 4000	±2.0	from 4000	±3.0

ANGULAR DIMENSIONS

from 6	±1°	to 6 from 30	±30'	from 30 to 120	±20'	from 120	±10'
--------	-----	--------------	------	----------------	------	----------	------

REVIEW	N°2	DATE	DESCRIPTION	DRAFTSMAN
	N°1	DATE	DESCRIPTION	DRAFTSMAN
MATERIAL			TREATMENT	DRAFTSMAN
PP				Guglielmo Callegarin

 Lago Accessori srl via 1°Maggio 20, 35014 Fontaniva (Pd) Italy Tel: +39 049 5940932 Fax: +39 049 5940599 www.lagoaccessori.net info@lagoaccessori.net	SCALE	CREATION DATE	SET
	1 : 1	15.02.2019	ACCESSORI
	SHEET		DRAWING CODE
	1/1		050902003.par
			DESCRIPTION
			TAPPO PER TUBO DIAMETRO 42
			DESCRIPTION OF FINISHED PRODUCT

LAGO ACCESSORI COPYRIGHT. ANY RIPRODUCTION WITHOUT WRITTEN PERMISSION OF LAGO ACCESSORI IS FORBIDDEN

1

6