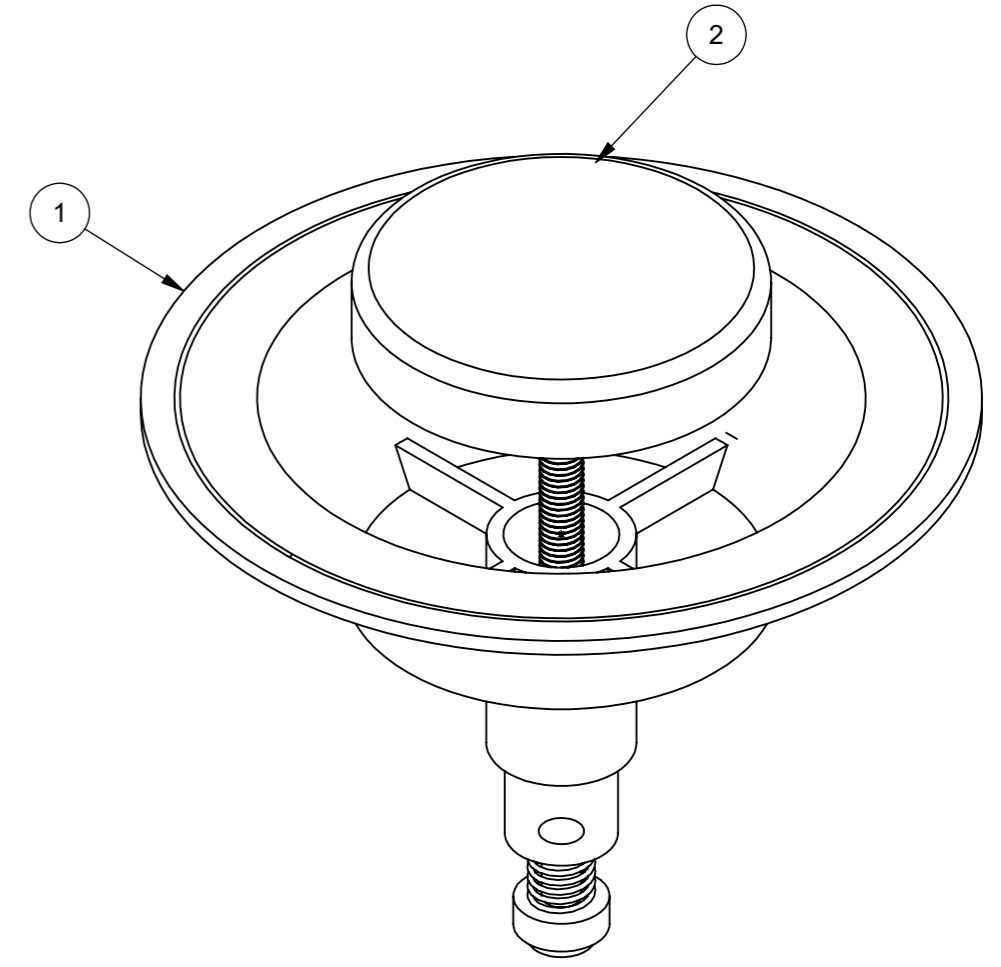
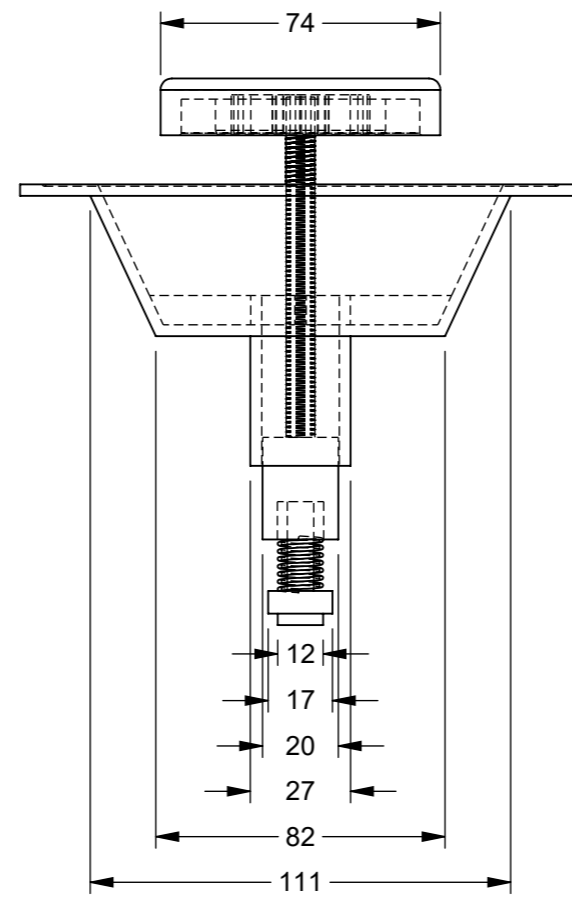
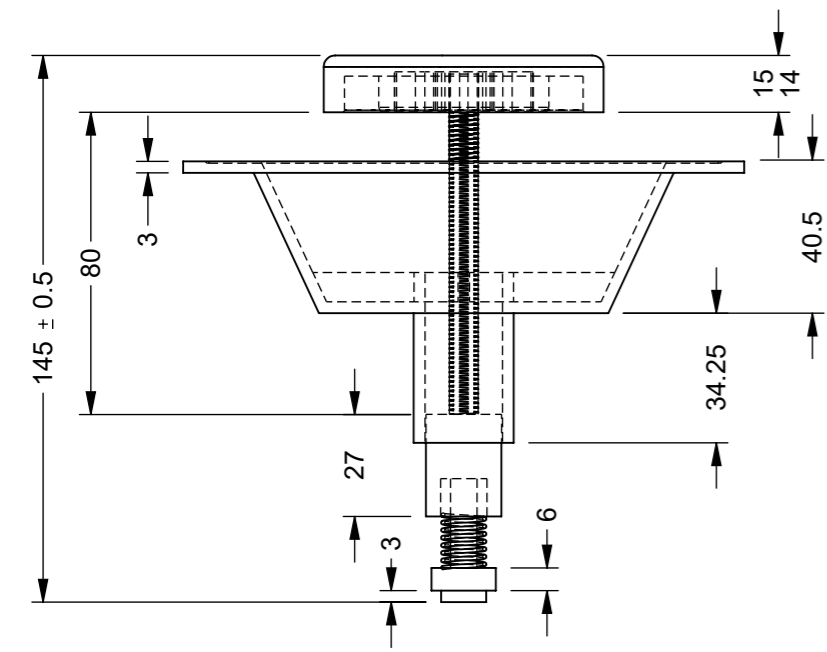
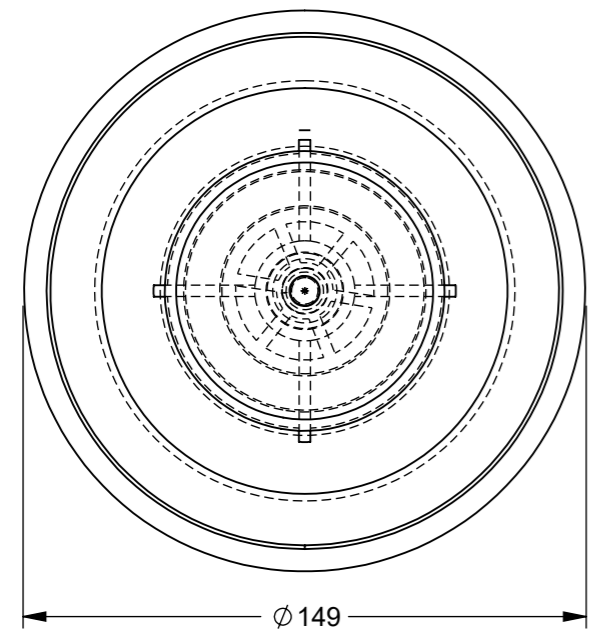


IF IN DOUBT ASK



ITEM NO.	PART NUMBER	DESCRIPTION	QTY.
1	6000-301621-1	WHITE PLASTIC PAN	1
2	6000-301621-2	PLASTIC PUSH BUTTON TOP AND MILD STEEL ROD	1

NOTE:
TO SUIT 6000/3202201I, 6000/3212703SS,
6000/3412702I, 6000/3371611I REAR DOOR LOCKS.

UNLESS OTHERWISE STATED, ALL DIMENSIONS IN mm

TOLERANCES		SURFACE FINISH 1.6µm Ra	
0.5 - 6	= ±0.1mm	FILLET RADII	0.5 TO 1.0
6 - 30	= ±0.2 mm	SQUARENESS	0.05 IN 25
30 - 120	= ±0.3 mm	PARALLELISM	0.05 IN 25
120 - 400	= ±0.5 mm	RUNOUT	0.1
400 - 1000	= ±0.8 mm	ANGLES	±0.5°
1000 - 2000	= ±1.2 mm		
2000 - 4000	= ±2.0 mm		

MATERIAL: SEE NOTE	DRAWN BY: L.E	DESCRIPTION: UNIVERSAL DOOR GEAR INTERNAL RELEASE PUSH BUTTON		A3	
MASS: 0.14	CHECKED BY: U.F	NUMBER: 6000-301621	REVISION: 1		SHEET: 1 of 1
FINISH: SEE NOTE	APPROVED BY: A.P	SCALE : PROPORTIONAL - DO NOT SCALE REF SCALE 1:2 WHEN PRINTED ON A3			PROJECTION 3rd ANGLE
ORIGINATION DATE: 12/04/2024					

REVISIONS				
ZONE	REV.	DESCRIPTION	DATE	APPROVED
	1	VALIDATION COMPLETE	16/04/2024	A.P

PROPRIETARY RIGHTS ARE INCLUDED IN THE INFORMATION DISCLOSED HEREIN. NEITHER THIS DOCUMENT NOR ANY INFORMATION DISCLOSED SHALL BE REPRODUCED, USED, TRANSFERRED TO OTHER DOCUMENTS, OR DISCLOSED TO OTHERS FOR ANY PURPOSE INCLUDING MANUFACTURING UNLESS SPECIFICALLY AUTHORISED IN WRITING
REMOVE ALL SHARP EDGES AND BURRS
PART FINISHING AND MARKING TO CESF001

