

6 1 5 1 4 3 1 2 1 1

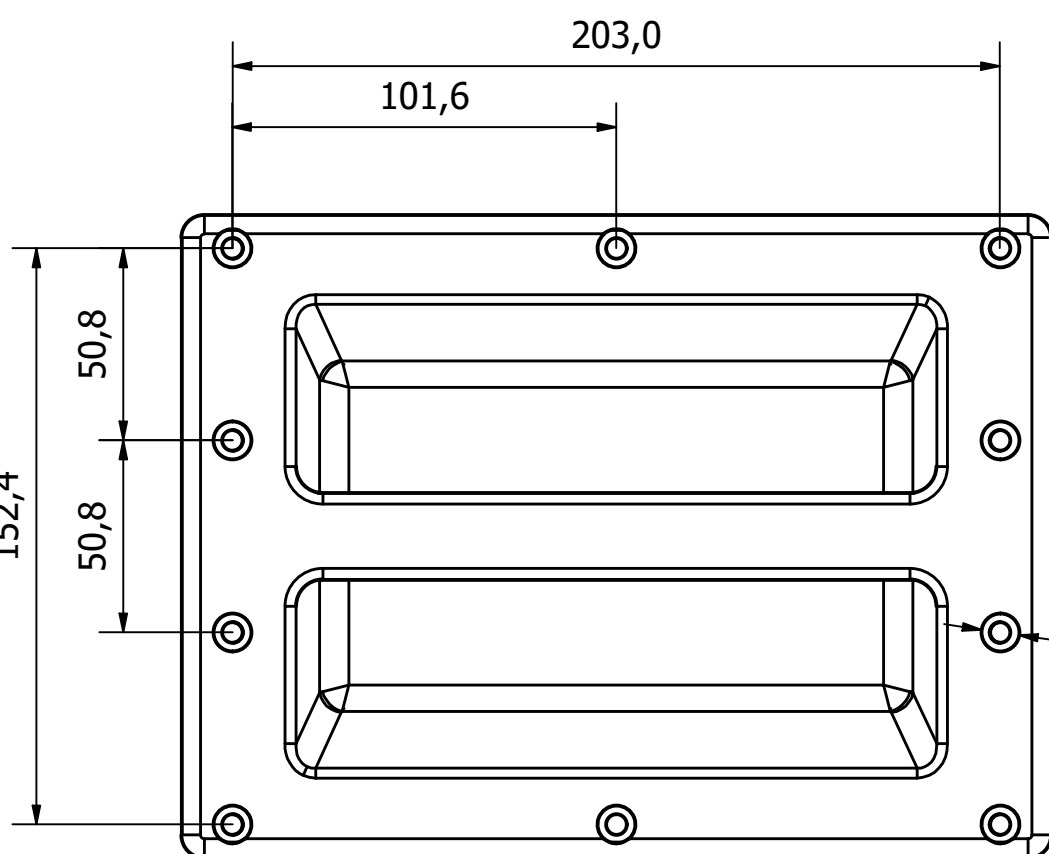
D D

C C

B B

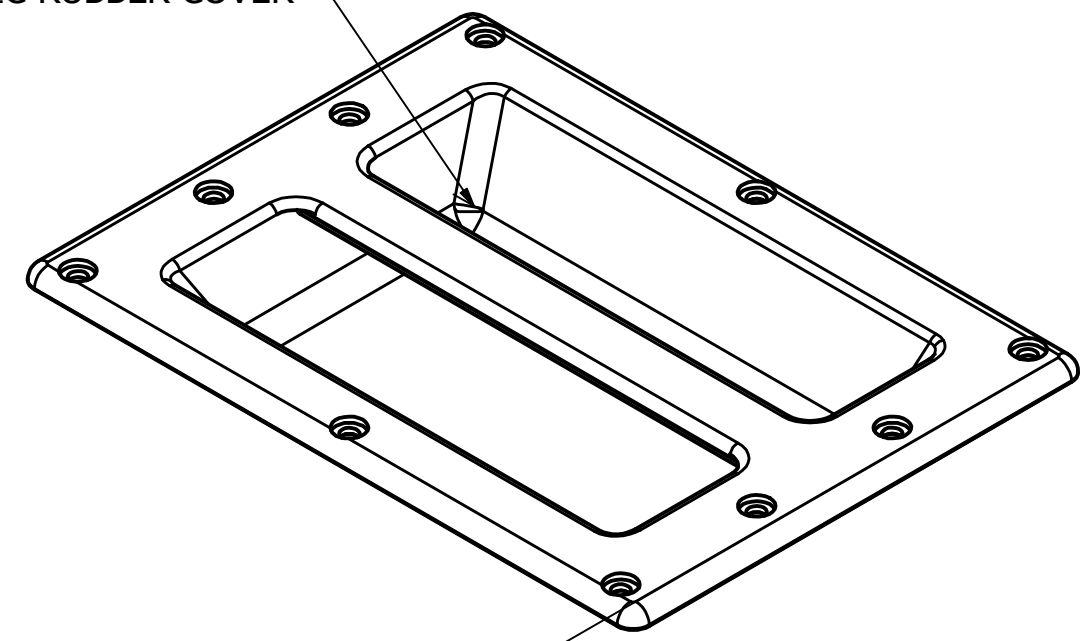
A A

6 1 5 1 4 3 1 2 1 1

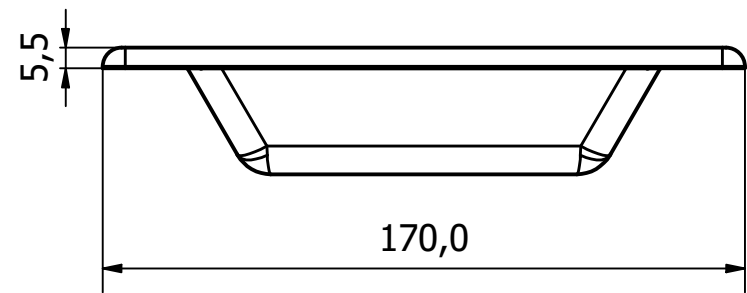
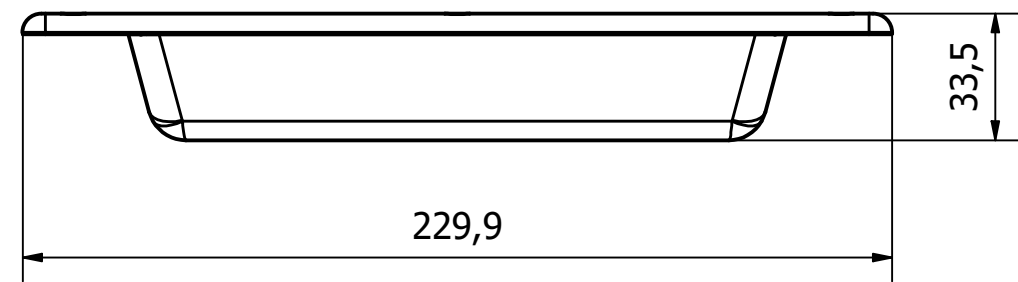


10 x Ø10,0 HOLES \surd Ø5,5 @ 90°

BLACK SYNTHETIC RUBBER COVER



BLACK GALVANISED M/STEEL FRAME



1	VALIDATION COMPLETE	20/05/19	A.P
REV	DESCRIPTION	DATE	APPROVED

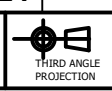
GENERAL TOLERANCES ON LENGTHS	
0.5 - 6 ± 0.1mm	
6 - 30 ± 0.2mm	
30 - 120 ± 0.3mm	
120 - 400 ± 0.5mm	
400 - 1000 ± 0.8mm	
1000 - 2000 ± 1.2mm	
2000 - 4000 ± 2.0mm	

ALBERT JAGGER LTD
 GREEN LANE
 WALSALL PHONE: 01922 471000
 WEST MIDLANDS FAX: 01922 648021
 WS2 8HG

THIS DRAWING & THE DESIGN SHOWN ARE THE PROPERTY OF ALBERT JAGGER LTD AND MUST NOT BE USED OR COPIED BY A THIRD PARTY WITHOUT PERMISSION

DRAWN BY
A.S

CHECKED BY
A.P



SCALE
1 : 2

MATERIAL
SEE DRAWING

MASS
0.000 kg

FINISH
SEE DRAWING

Date
18/03/2019

ALL DIMS IN MM UNLESS STATED DO NOT SCALE

A3



RECESSED GRAB HANDLE - 230MM

5589-537

Edition	Sheet
1	1 / 1