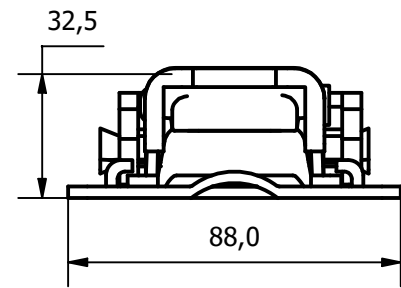
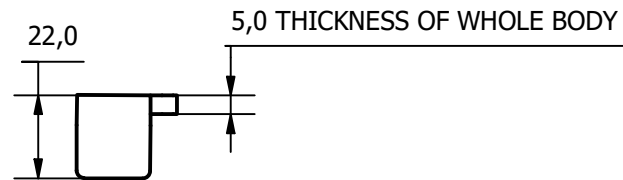
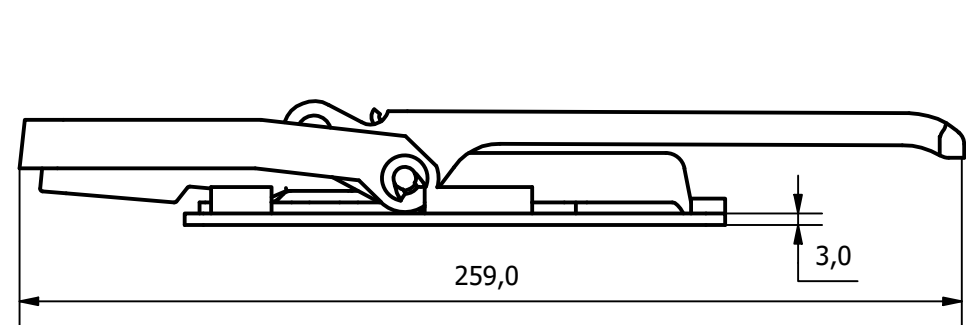
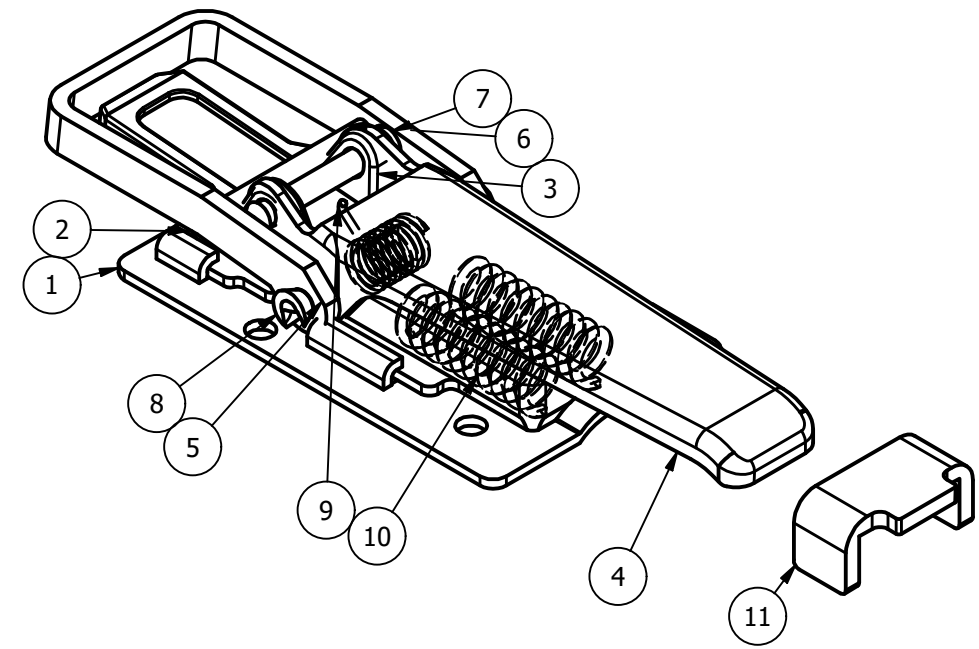
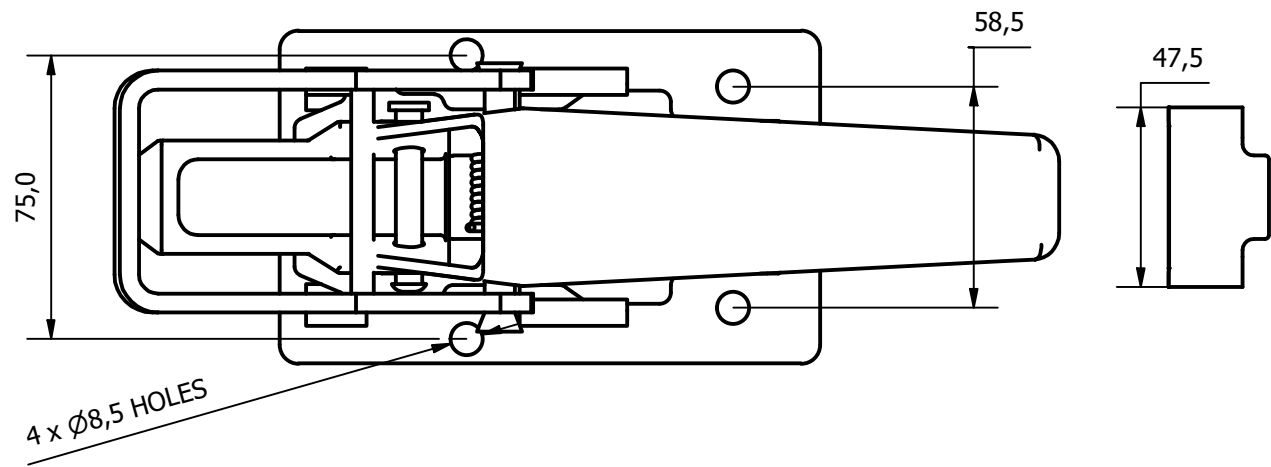


PARTS LIST			
ITEM	QTY	PART NUMBER	DESCRIPTION
1	1	5482-011-1	M/STEEL TAILBOARD BASE PLATE - ZINC PLATED
2	1	5482-011-2	M/STEEL SPRING HOUSING - ZINC PLATED
3	1	5482-011-3	FORGED STEEL TONGUE
4	1	5482-011-4	M/STEEL LEVER - ZINC PLATED
5	1	5482-011-5	M/STEEL PULL HANDLE - ZINC PLATED
6	1	5482-011-6	M/STEEL BAR ZINC PLATED
7	1	5482-011-7	M/STEEL RIVET - ZINC PLATED
8	1	5482-011-8	M/STEEL RIVET - ZINC PLATED
9	1	5482-011-9	STEEL SPRING - ZINC PLATED
10	2	5482-011-10	STEEL SPRING - ZINC PLATED
11	1	5482-011-11	PRESSED M/STEEL KEEPER



1	VALIDATION COMPLETE	26/06/19	A.S
REV	DESCRIPTION	DATE	APPROVED
		28/05/2019	

GENERAL TOLERANCES ON LENGTHS
0.5 - 6 ± 0.1mm
6 - 30 ± 0.2mm
30 - 120 ± 0.3mm
120 - 400 ± 0.5mm
400 - 1000 ± 0.8mm
1000 - 2000 ± 1.2mm
2000 - 4000 ± 2.0mm

ALBERT JAGGER LTD
 GREEN LANE
 WALSALL PHONE: 01922 471000
 WEST MIDLANDS FAX: 01922 648021
 WS2 8HG

THIS DRAWING & THE DESIGN SHOWN ARE THE PROPERTY OF ALBERT JAGGER LTD AND MUST NOT BE USED OR COPIED BY A THIRD PARTY WITHOUT PERMISSION

DRAWN BY: A.S
 CHECKED BY: A.P
 SCALE: 1:2
 THIRD ANGLE PROJECTION

MATERIAL SEE DRAWING	MASS 1.246 kg	FINISH SEE DRAWING	Date 28/05/2019	ALL DIMS IN MM UNLESS STATED DO NOT SCALE	A3
OVERCENTRE TAILBOARD FASTENER - PLANT ON					
5482-011			Edition 1	Sheet 1 / 1	