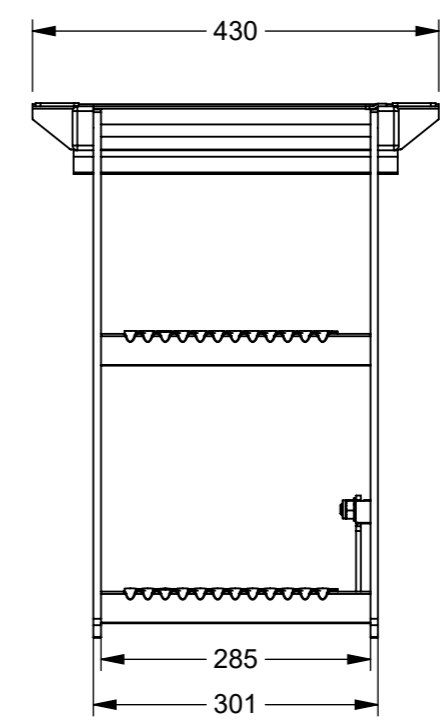
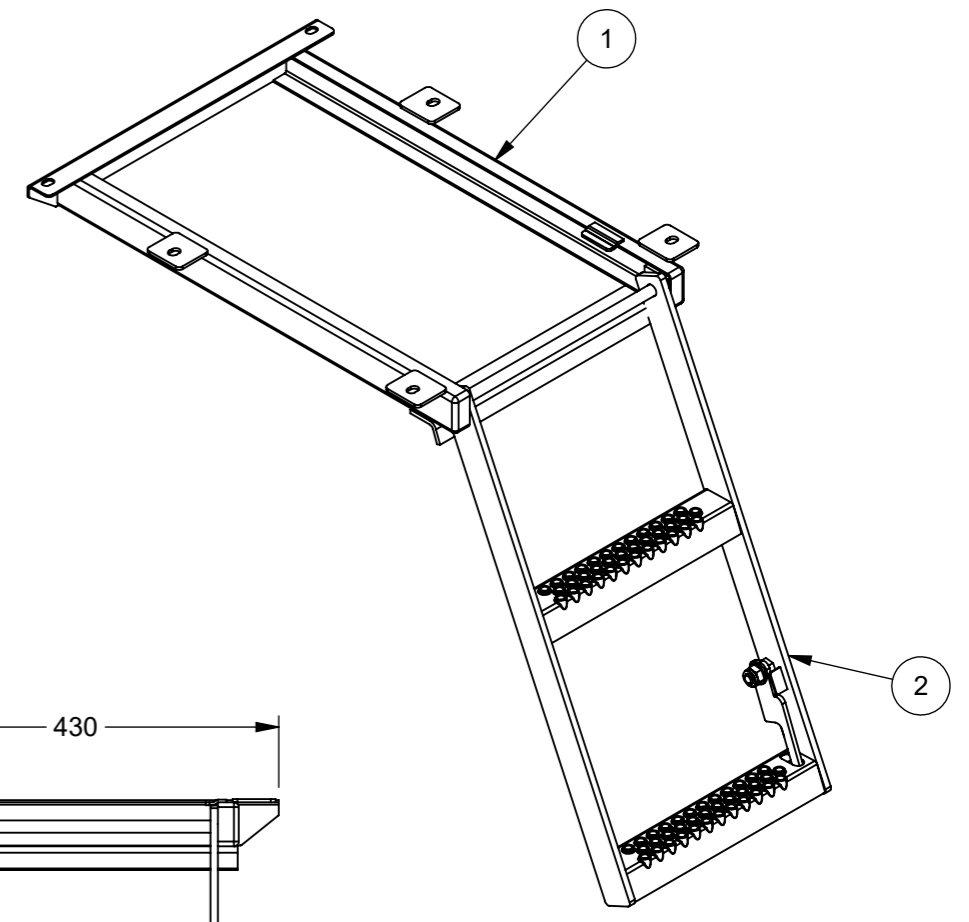
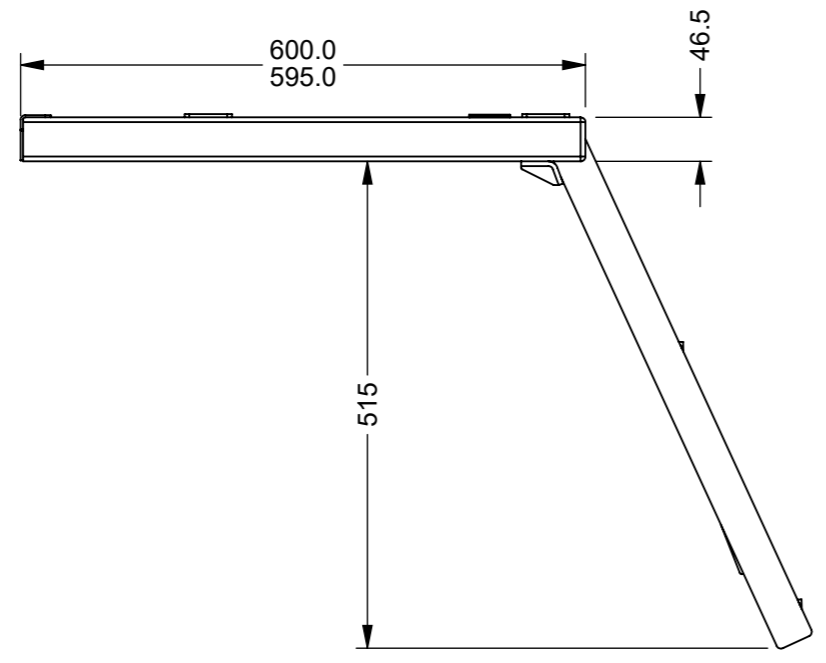
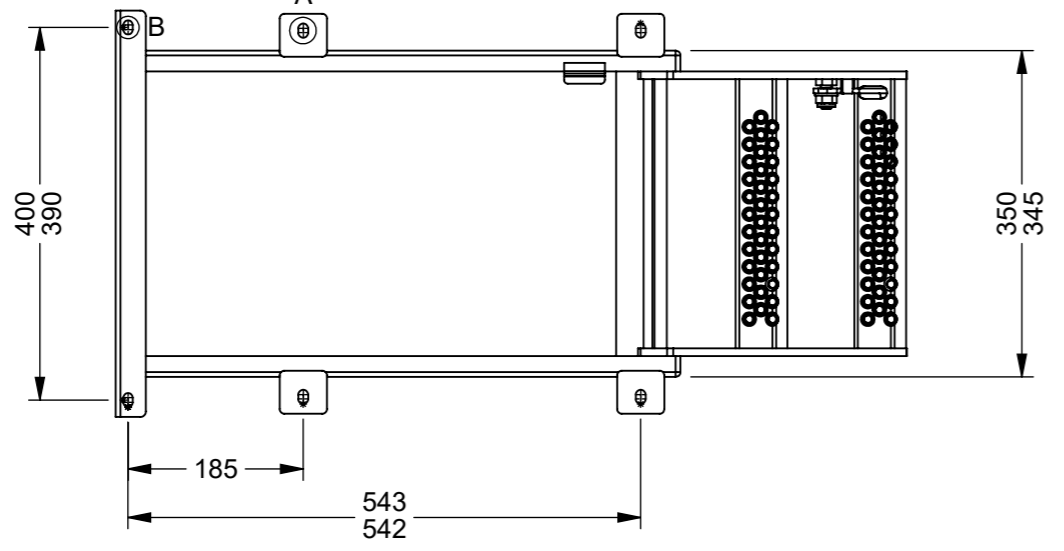
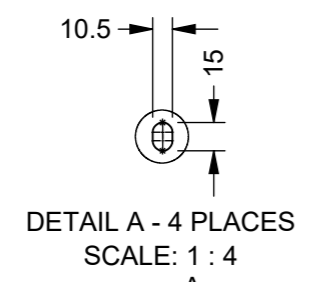
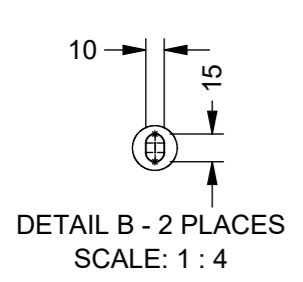


IF IN DOUBT ASK

ITEM NO.	PART NUMBER	DESCRIPTION	QTY.
1	5326-202Y-1	2 RUNG LADDER MAIN FRAME	1
2	5326-202Y-2	2 RUNG LADDER	1



ZONE	REV.	DESCRIPTION	DATE	APPROVED
	1	VALIDATION COMPLETE	24/01/2024	A.P

UNLESS OTHERWISE STATED, ALL DIMENSIONS IN mm

TOLERANCES	SURFACE FINISH
0.5 - 6 = ±0.1mm	1.6µm Ra
6 - 30 = ±0.2 mm	FILLET RADII 0.5 TO 1.0
30 - 120 = ±0.3 mm	SQUARENESS 0.05 IN 25
120 - 400 = ±0.5 mm	PARALLELISM 0.05 IN 25
400 - 1000 = ±0.8 mm	RUNOUT 0.1
1000 - 2000 = ±1.2 mm	ANGLES ±0.5°
2000 - 4000 = ±2.0 mm	

MATERIAL: M/STEEL
 MASS: 8.01
 FINISH:POWDERCOAT YELLOW KP123CWW

DRAWN BY: UF
 CHECKED BY: A.P
 DESCRIPTION: 2 RUNG STEP - YELLOW

A3

APPROVED BY: A.P
 ORIGINATION DATE: 23/01/2024
 NUMBER: 5326-202Y
 REVISION: 1
 SHEET: 1 of 1

SCALE : PROPORTIONAL - DO NOT SCALE
 REF SCALE 1:8 WHEN PRINTED ON A3



PROPRIETARY RIGHTS ARE INCLUDED IN THE INFORMATION DISCLOSED HEREIN. NEITHER THIS DOCUMENT NOR ANY INFORMATION DISCLOSED SHALL BE REPRODUCED, USED, TRANSFERRED TO OTHER DOCUMENTS, OR DISCLOSED TO OTHERS FOR ANY PURPOSE INCLUDING MANUFACTURING UNLESS SPECIFICALLY AUTHORISED IN WRITING
 REMOVE ALL SHARP EDGES AND BURRS
 PART FINISHING AND MARKING TO CESF001

