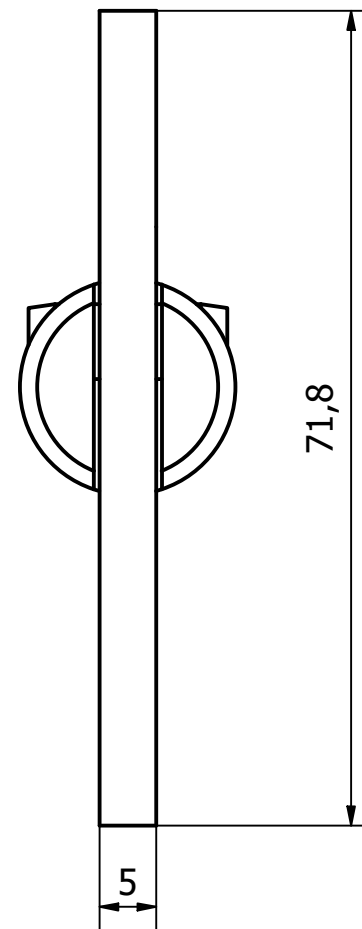
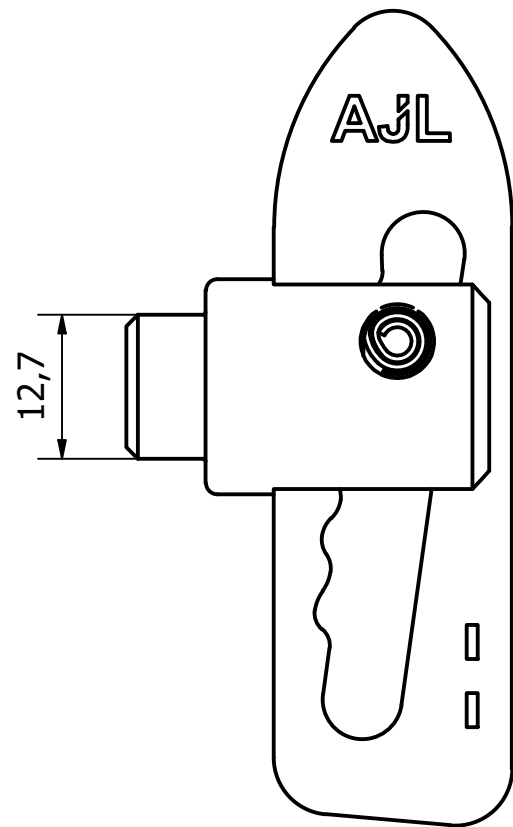
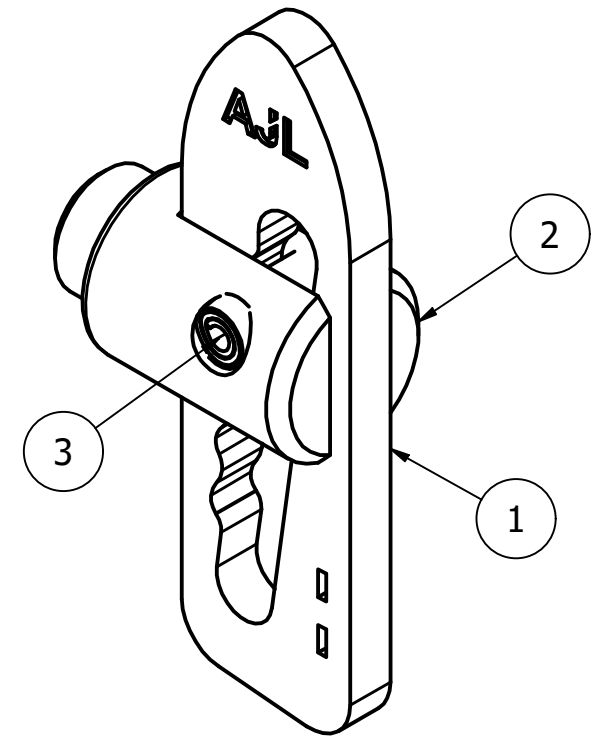


PARTS LIST			
ITEM	QTY	PART NUMBER	DESCRIPTION
1	1	3330319	LARGE A/L COTTER - M/STEEL
2	1	3330-058S BOSS	M/STEEL WELD ON BOSS
3	1	3330233	ANTILUCE SPIRAL PIN - STD



REV	DESCRIPTION	DATE	APPROVED
2	DESIGN UPDATED	09/03/22	K.M
1	VALIDATION COMPLETE	05/07/17	A.P

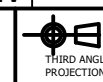
NOTE  
FINISH: ZINC PLATED TO 8 MICRONS THICK WITH CLEAR TOP COAT

GENERAL TOLERANCES ON LENGTHS
0.5 - 6 ± 0.1mm
6 - 30 ± 0.2mm
30 - 120 ± 0.3mm
120 - 400 ± 0.5mm
400 - 1000 ± 0.8mm
1000 - 2000 ± 1.2mm
2000 - 4000 ± 2.0mm

ALBERT JAGGER LTD  
GREEN LANE  
WALSALL PHONE: 01922 471000  
WEST MIDLANDS FAX: 01922 648021  
WS2 8HG  
  
THIS DRAWING & THE DESIGN SHOWN ARE THE PROPERTY OF ALBERT JAGGER LTD AND MUST NOT BE USED OR COPIED BY A THIRD PARTY WITHOUT PERMISSION

DRAWN BY  
U.F

CHECKED BY  
A.P



SCALE  
1.5:1

MATERIAL  
M/STEEL

MASS  
0.087 kg

FINISH  
SEE NOTE

Date  
20/04/2017

ALL DIMS IN MM UNLESS STATED DO NOT SCALE

A3



WELD ON 12.7MM ANTILUCE™ ROUND SHANK 7MM LTH NO THREAD

3330-058S

Edition  
2

Sheet  
1 / 1