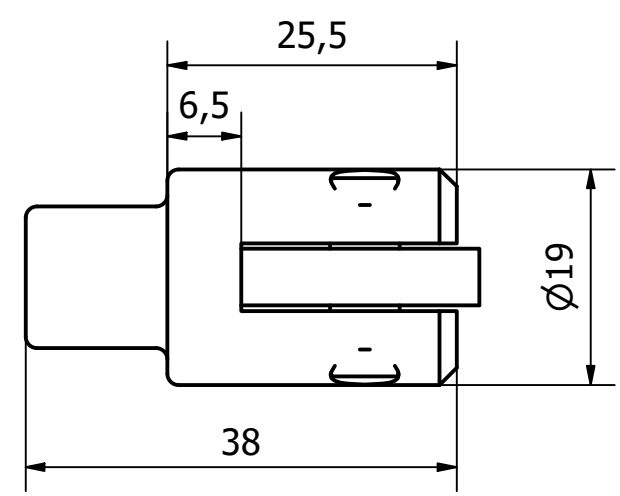


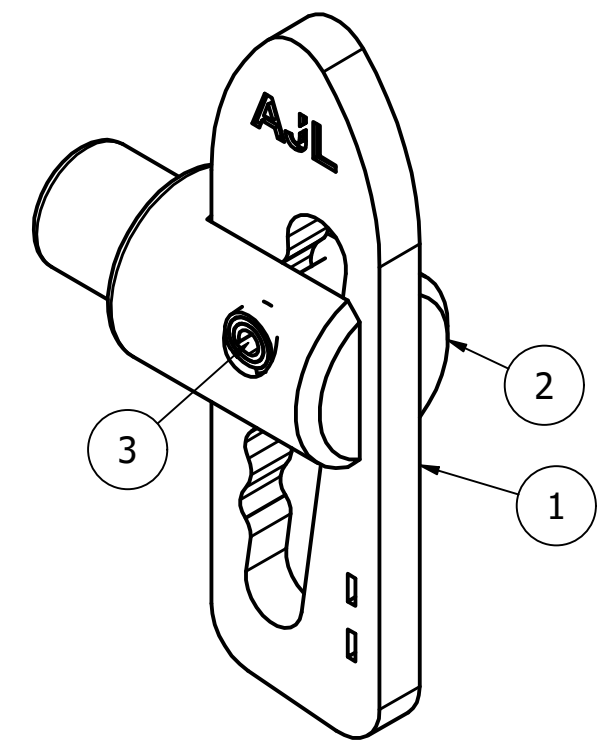
6 1 5 1 4 3 1 2 1 1

PARTS LIST			
ITEM	QTY	PART NUMBER	DESCRIPTION
1	1	3330321	LARGE A/L COTTER - S/STEEL 304
2	1	3330-047 BOSS	S/STEEL A/L WELD ON BOSS
3	1	3330234	S/STEEL LARGE ROLL PIN

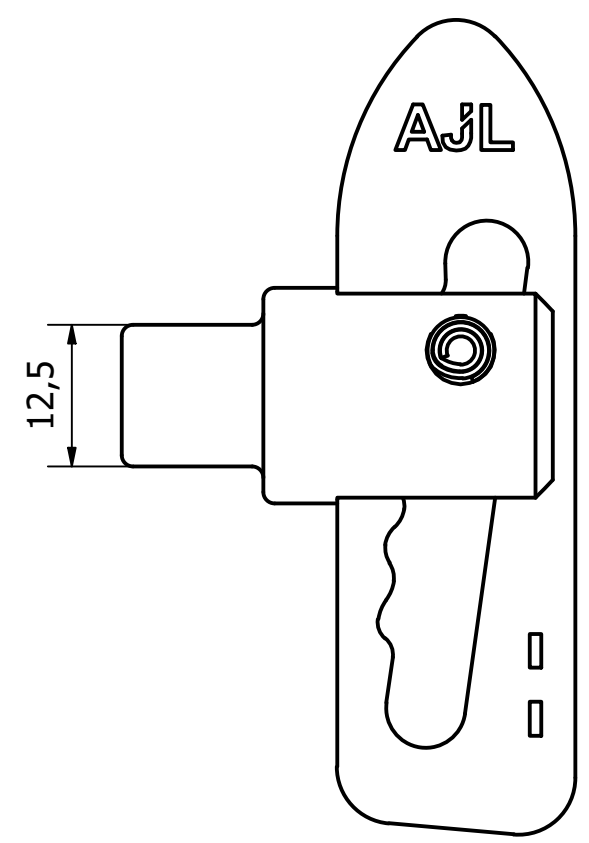
D



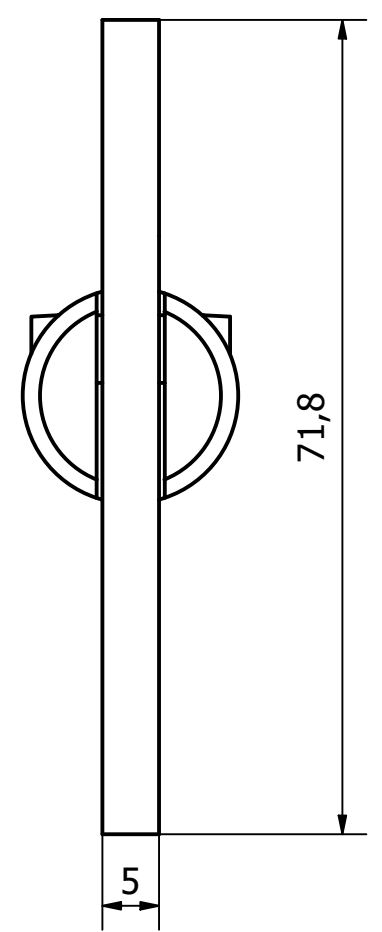
C



B



A



2	DESIGN UPDATED	09/03/22	K.M
1	VALIDATION COMPLETE	25/05/17	A.P
REV	DESCRIPTION	DATE	APPROVED

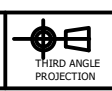
A

GENERAL TOLERANCES ON LENGTHS
 0.5 - 6 ± 0.1mm
 6 - 30 ± 0.2mm
 30 - 120 ± 0.3mm
 120 - 400 ± 0.5mm
 400 - 1000 ± 0.8mm
 1000 - 2000 ± 1.2mm
 2000 - 4000 ± 2.0mm

ALBERT JAGGER LTD
 GREEN LANE
 WALSALL PHONE: 01922 471000
 WEST MIDLANDS FAX: 01922 648021
 WS2 8HG
 THIS DRAWING & THE DESIGN SHOWN ARE THE PROPERTY OF ALBERT JAGGER LTD AND MUST NOT BE USED OR COPIED BY A THIRD PARTY WITHOUT PERMISSION

DRAWN BY
 U.F

CHECKED BY
 A.P



SCALE
 1.5:1

MATERIAL
 S/STEEL - 304

MASS
 0.094 kg

FINISH
 NATURAL

Date
 13/04/2017

ALL DIMS IN MM UNLESS STATED DO NOT SCALE

A3



WELD ON ANTILUCE™ 12MM SHANK NO THREAD
 3330-047
 Edition 2
 Sheet 1 / 1

6 1 5 1 4 3 1 2 1 1

A