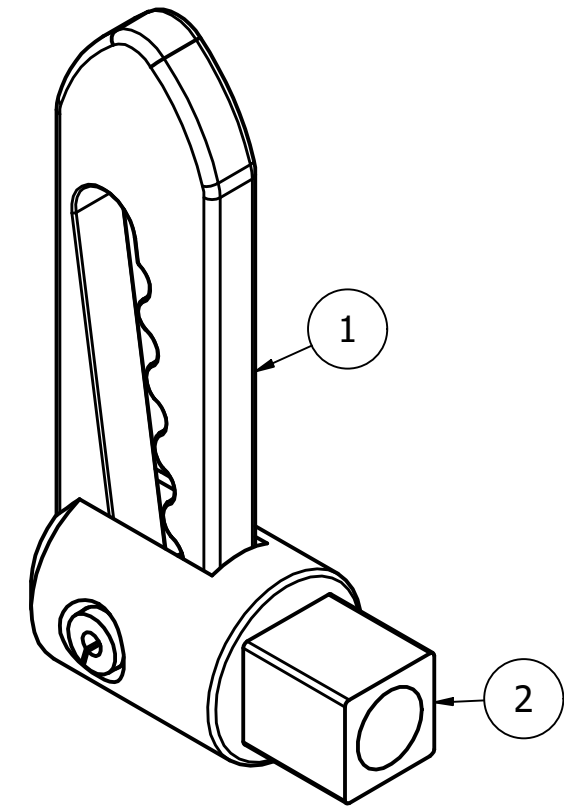
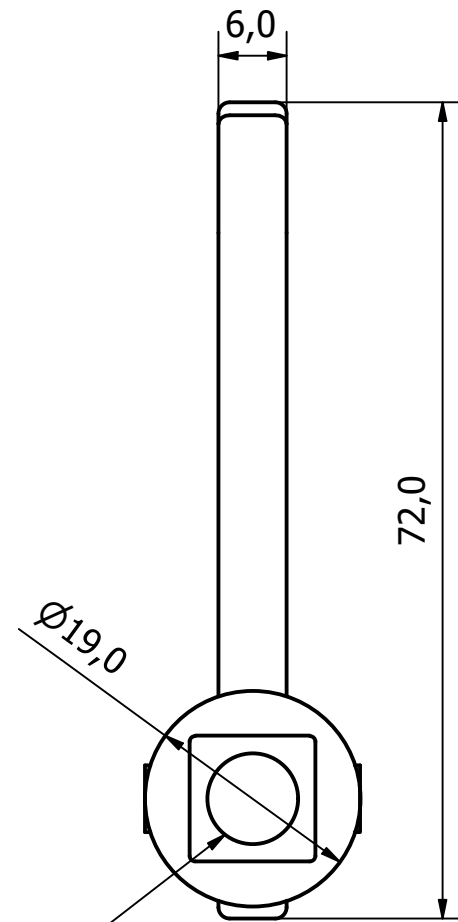
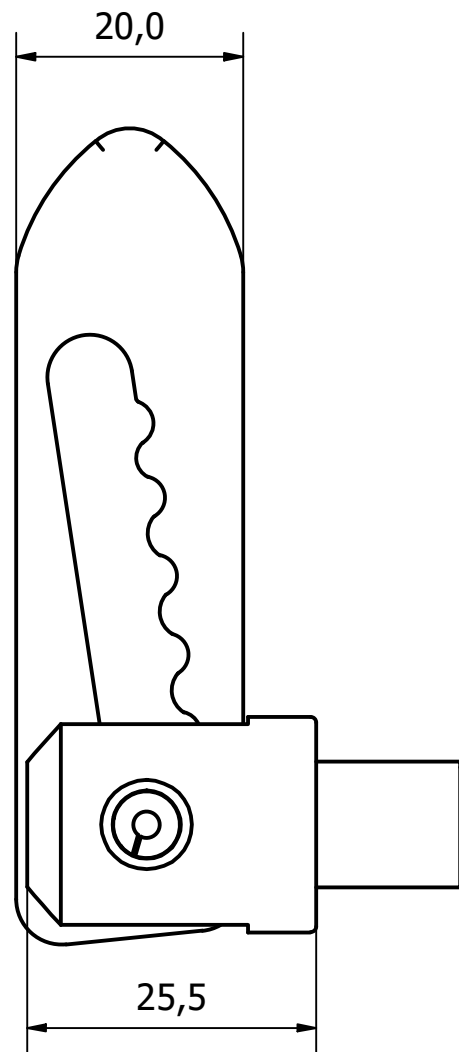
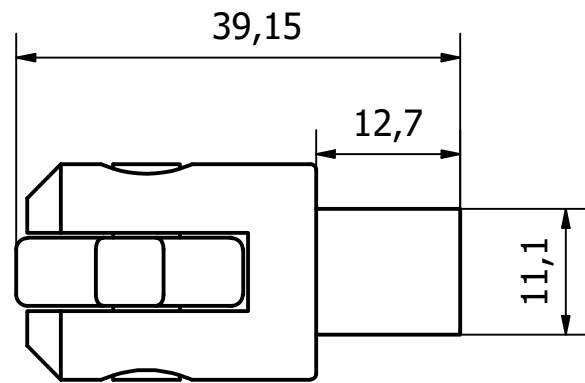


PARTS LIST			
ITEM	QTY	PART NUMBER	DESCRIPTION
1	1	3243-001-1	M/STEEL ANTILUCE COTTER
2	1	3243-001-2	M/STEEL ANTILUCE BARREL - M8 INTERNAL THREAD



M8 INTERNAL THREAD

1	VALIDATION COMPLETE	05/07/17	A.P
REV	DESCRIPTION	DATE	APPROVED

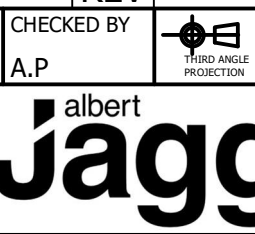
GENERAL TOLERANCES ON LENGTHS
0.5 - 6 ± 0.1mm
6 - 30 ± 0.2mm
30 - 120 ± 0.3mm
120 - 400 ± 0.5mm
400 - 1000 ± 0.8mm
1000 - 1200 ± 1.2mm
2000 - 4000 ± 2.0mm

ALBERT JAGGER LTD  
 GREEN LANE  
 WALSALL PHONE: 01922 471000  
 WEST MIDLANDS FAX: 01922 648021  
 WS2 8HG

THIS DRAWING & THE DESIGN SHOWN ARE THE PROPERTY OF ALBERT JAGGER LTD AND MUST NOT BE USED OR COPIED BY A THIRD PARTY WITHOUT PERMISSION

DRAWN BY  
U.F

CHECKED BY  
A.P



SCALE  
1.5:1

MATERIAL  
-

MASS  
0.090 kg

FINISH  
Z/C  
PASSIVATE

Date  
10/04/2017

ALL DIMS IN MM UNLESS STATED DO NOT SCALE

A3



ANTILUCE™ FASTENER - BOLT ON M8 INTERNAL THREAD

3243-001

Edition  
1

Sheet  
1 / 1