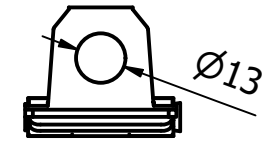
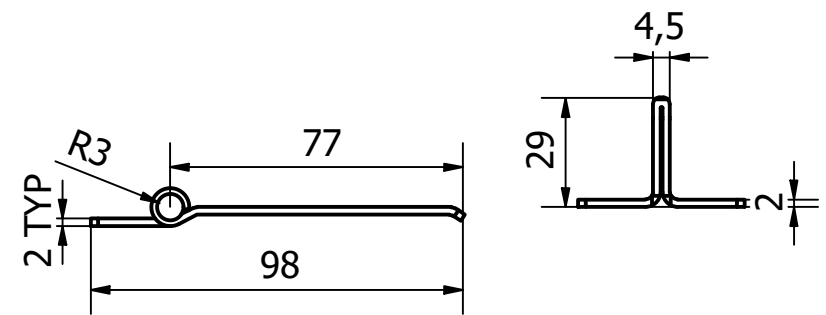
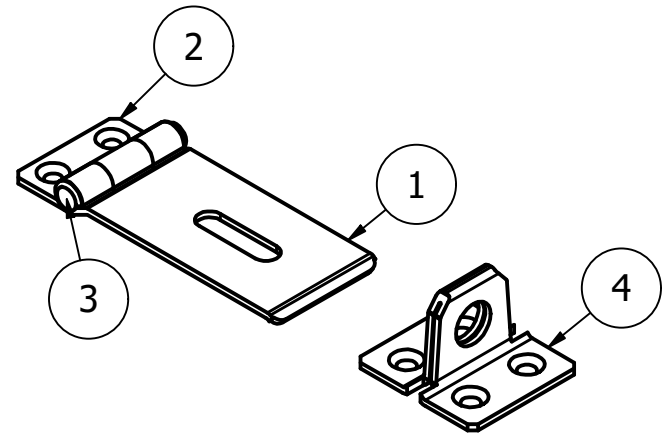
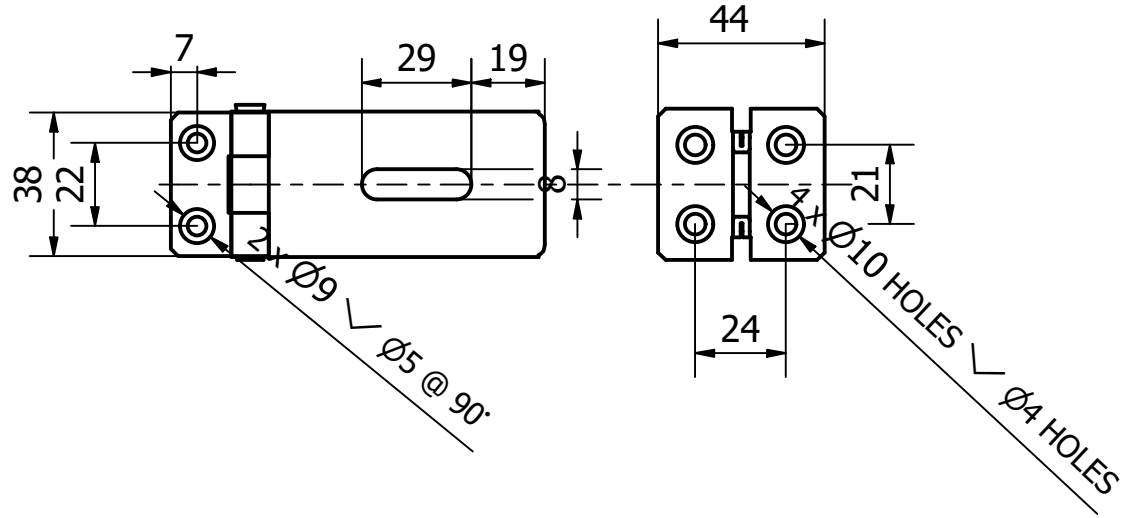


6 5 4 3 2 1

PARTS LIST			
ITEM	QTY	PART NUMBER	DESCRIPTION
1	1	2948-101-2	M/STEEL HASP
2	1	2948-101-1	M/STEEL MOUNTING BRACKET TAB
3	1	2948-101-3	M/STEEL HASP AND STAPLE PIN
4	1	2948-101-4	M/STEEL STAPLE



A 3 2 1 1

1	VALIDATION COMPLETE	24/03/2020	A.P
REV	DESCRIPTION	DATE	APPROVED

GENERAL TOLERANCES ON LENGTHS

0.5 - 6 ± 0.1mm
6 - 30 ± 0.2mm
30 - 120 ± 0.3mm
120 - 400 ± 0.5mm
400 - 1000 ± 0.8mm
1000 - 2000 ± 1.2mm
2000 - 4000 ± 2.0mm

ALBERT JAGGER LTD
 GREEN LANE
 WALSALL PHONE: 01922 471000
 WEST MIDLANDS FAX: 01922 648021
 WS2 8HG

THIS DRAWING & THE DESIGN SHOWN ARE THE PROPERTY OF ALBERT JAGGER LTD AND MUST NOT BE USED OR COPIED BY A THIRD PARTY WITHOUT PERMISSION

DRAWN BY K.M
 CHECKED BY A.P



SCALE 1:2

MATERIAL SEE TABLE

MASS 0.126 kg

FINISH P/C BLACK

Date 17/03/2020

ALL DIMS IN MM UNLESS STATED DO NOT SCALE

A3



STEEL PRESSED HASP AND STAPLE

2948-101

Edition 1	Sheet 1 / 1
-----------	-------------

6 5 4 3 2 1