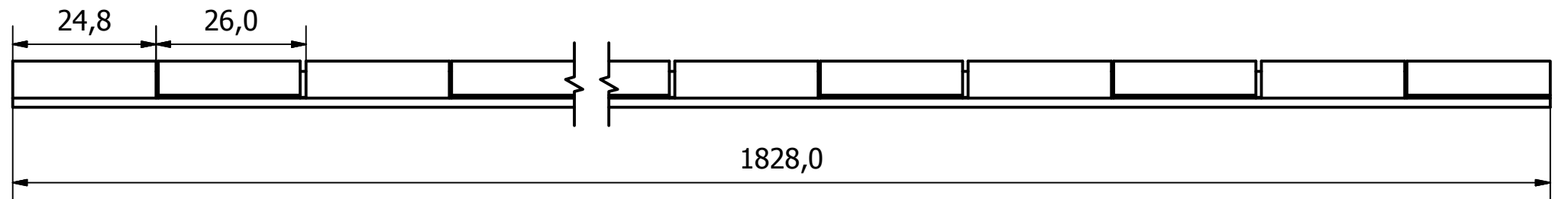
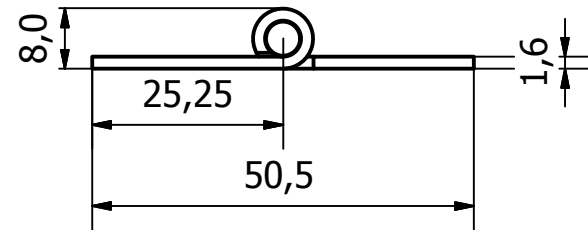
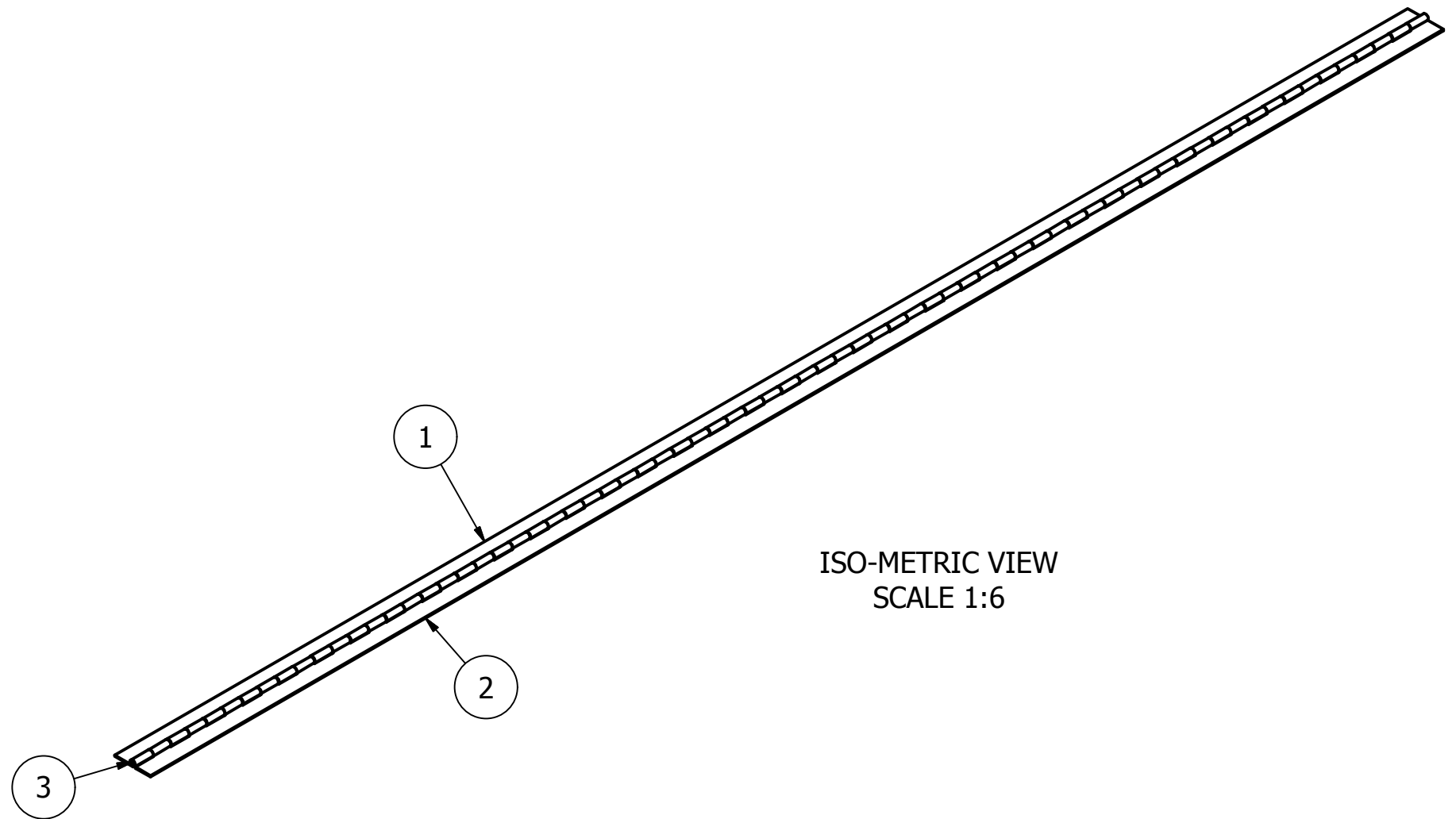


PARTS LIST			
ITEM	QTY	PART NUMBER	DESCRIPTION
1	1	2233-439-1	ALUMINIUM HINGE FLAP - LH
2	1	2233-439-2	ALUMINIUM HINGE FLAP - RH
3	1	2233-439-3	ALUMINIUM HINGE PIN



1	VALIDATION COMPLETE	13/04/17	A.P
REV	DESCRIPTION	DATE	APPROVED

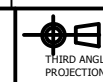
GENERAL TOLERANCES ON LENGTHS
0.5 - 6 ± 0.1mm
6 - 30 ± 0.2mm
30 - 120 ± 0.3mm
120 - 400 ± 0.5mm
400 - 1000 ± 0.8mm
1000 - 1200 ± 1.2mm
2000 - 4000 ± 2.0mm

ALBERT JAGGER LTD
GREEN LANE
WALSALL PHONE: 01922 471000
WEST MIDLANDS FAX: 01922 648021
WS2 8HG

THIS DRAWING & THE DESIGN SHOWN ARE THE PROPERTY OF ALBERT JAGGER LTD AND MUST NOT BE USED OR COPIED BY A THIRD PARTY WITHOUT PERMISSION

DRAWN BY
U.F

CHECKED BY
A.P



SCALE
1 : 1

MATERIAL
-

MASS
0.576 kg

FINISH
NATURAL

Date
04/04/2017

ALL DIMS IN MM UNLESS STATED DO NOT SCALE

A3



ALUMINIUM PIANO HINGE - 1828 O/A
2233-439
Edition 1
Sheet 1 / 1