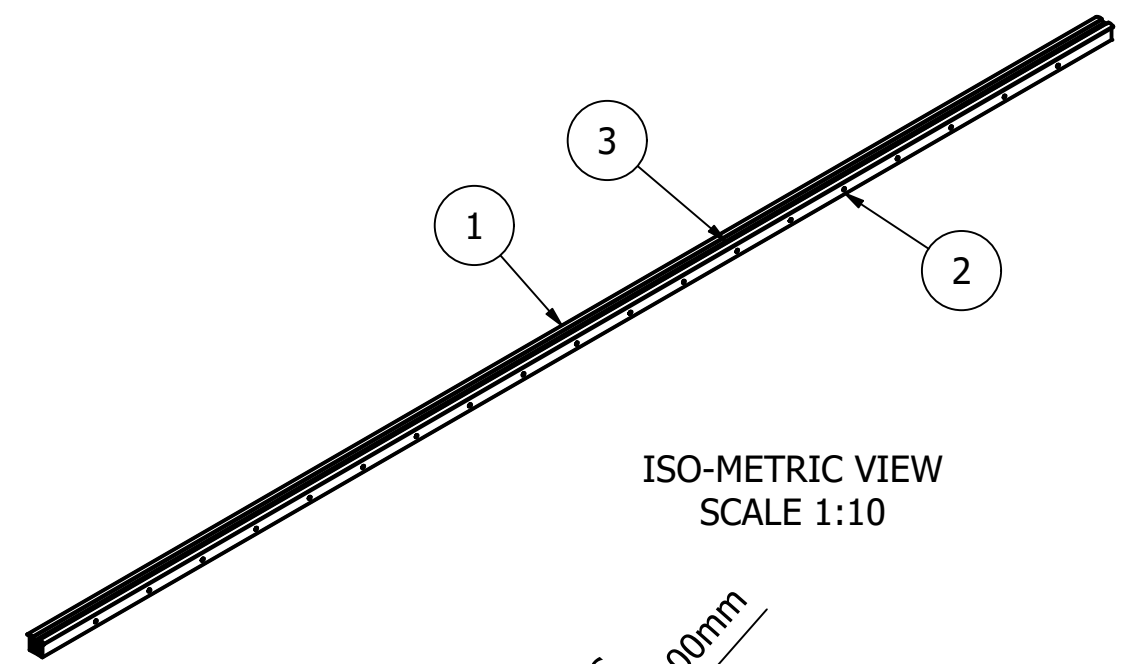
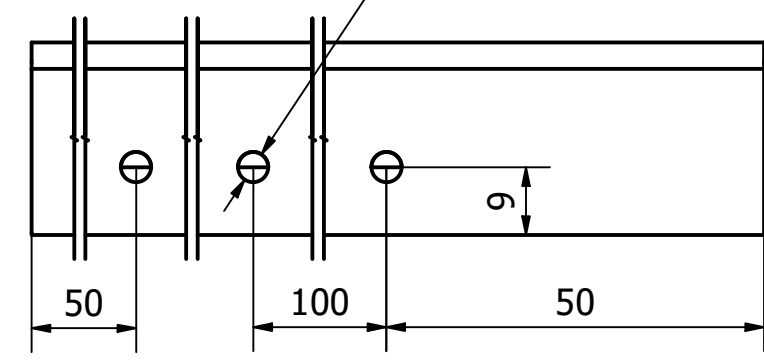


PARTS LIST			
ITEM	QTY	PART NUMBER	DESCRIPTION
1	1	2229-2200-1	TILA HINGE TYPE 1 EXTRUSION - 2000 O/A
2	1	2229-2200-2	TILA HINGE TYPE 2 EXTRUSION - 2000 O/A
3	1	2229-2200-3	ELASTOMER PLASTIC INTERNAL PROFILE

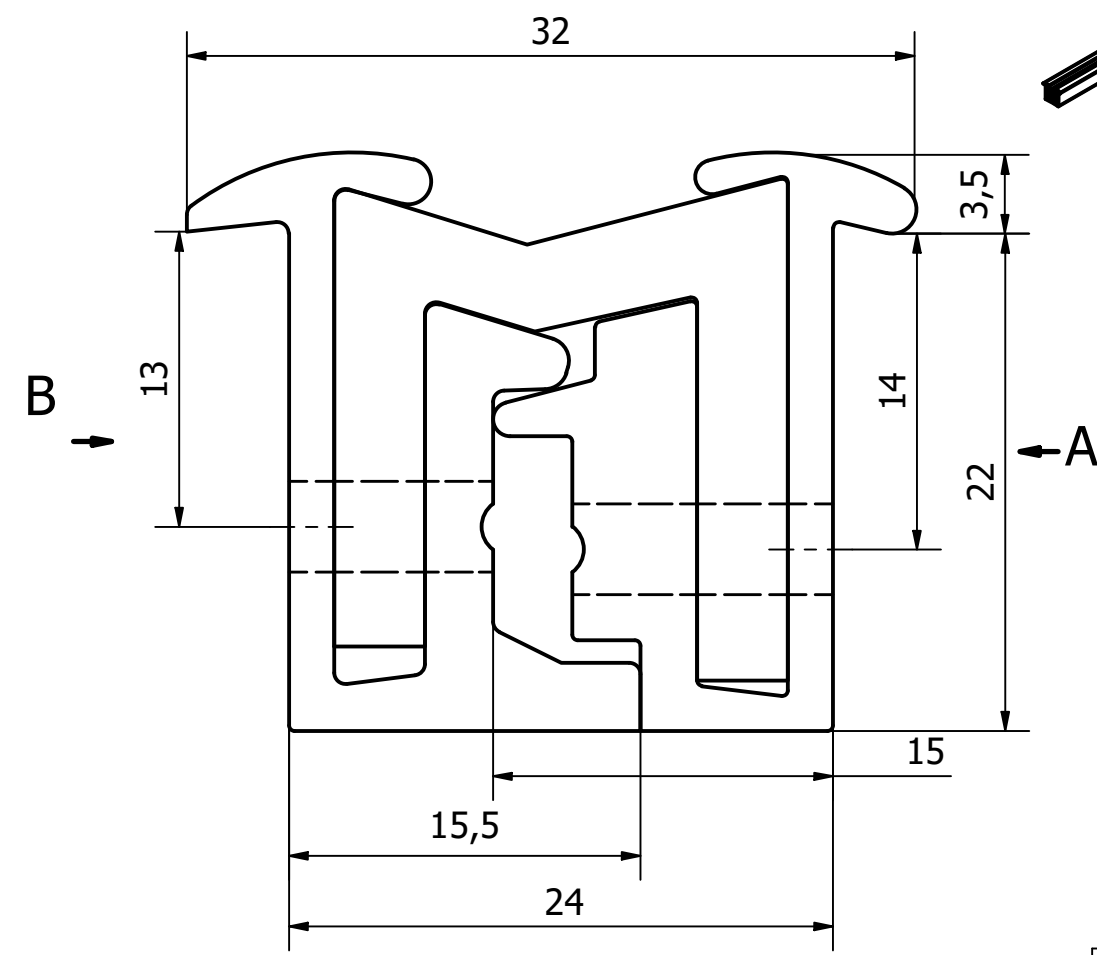


ISO-METRIC VIEW
SCALE 1:10

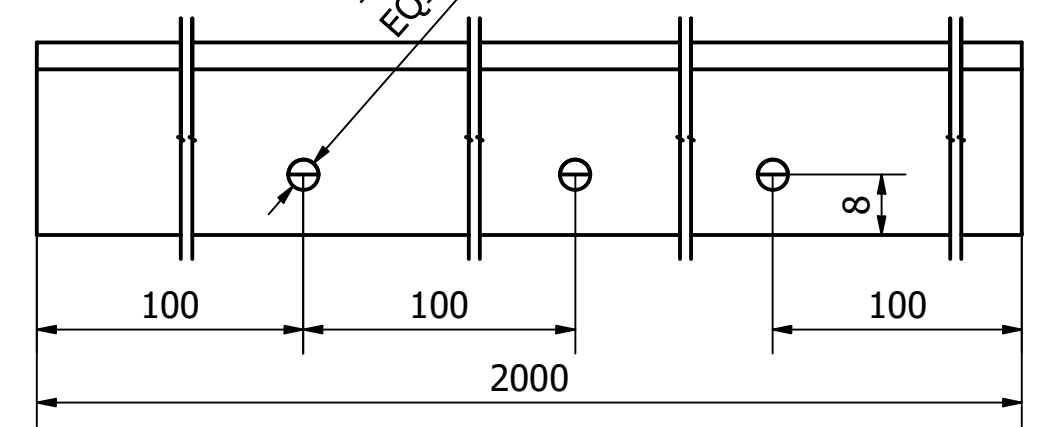
20 x Ø4 HOLES
EQUI-SPACED AT 100mm



VIEW B
(1:1)



19 x Ø4 HOLES
EQUI-SPACED AT 100mm



VIEW A
(1:1)

NOTE:
INSTALLATION WIDTH - 24mm, INSTALLATION DEPTH - 22mm
TEMPERATURE RESISTANT FROM APPROX -40°C TO 80°C, SHORT PERIODS 120°C WITHOUT MECHANICAL DAMAGE
HYDROLYSIS AND BACTERIA RESISTANT

MATERIAL AND FINISH:
ALUMINIUM CLAMPING PROFILES - AlMgSi 0.5 - ANODISED, E6 EV1, MATT SILVER FINISH
INTERNAL PROFILE - POLYURETHANE ELASTOMER PLASTIC PROFILE - BLACK

GENERAL TOLERANCES ON LENGTHS
0.5 - 6 ± 0.1mm
6 - 30 ± 0.2mm
30 - 120 ± 0.3mm
120 - 400 ± 0.5mm
400 - 1000 ± 0.8mm
1000 - 2000 ± 1.2mm
2000 - 4000 ± 2.0mm

ALBERT JAGGER LTD
GREEN LANE
WALSALL PHONE: 01922 471000
WEST MIDLANDS FAX: 01922 648021
WS2 8HG

THIS DRAWING & THE DESIGN SHOWN
ARE THE PROPERTY OF ALBERT JAGGER LTD
AND MUST NOT BE USED OR COPIED BY A
THIRD PARTY WITHOUT PERMISSION

1	VALIDATION COMPLETE	13/04/21	A.P
REV	DESCRIPTION	DATE	APPROVED
U.F	A.P	12/04/2021	A3
		TILA 22/180 CONTINUOUS HINGE - 2000mm O/A	
2229-2200		Edition 1	Sheet 1 / 1

