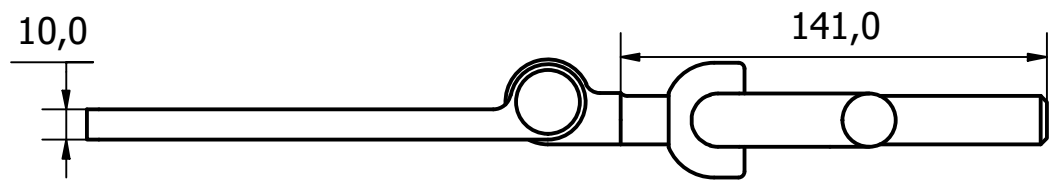
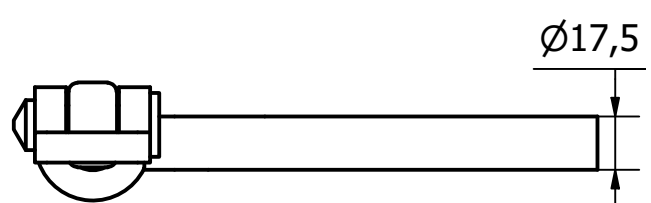
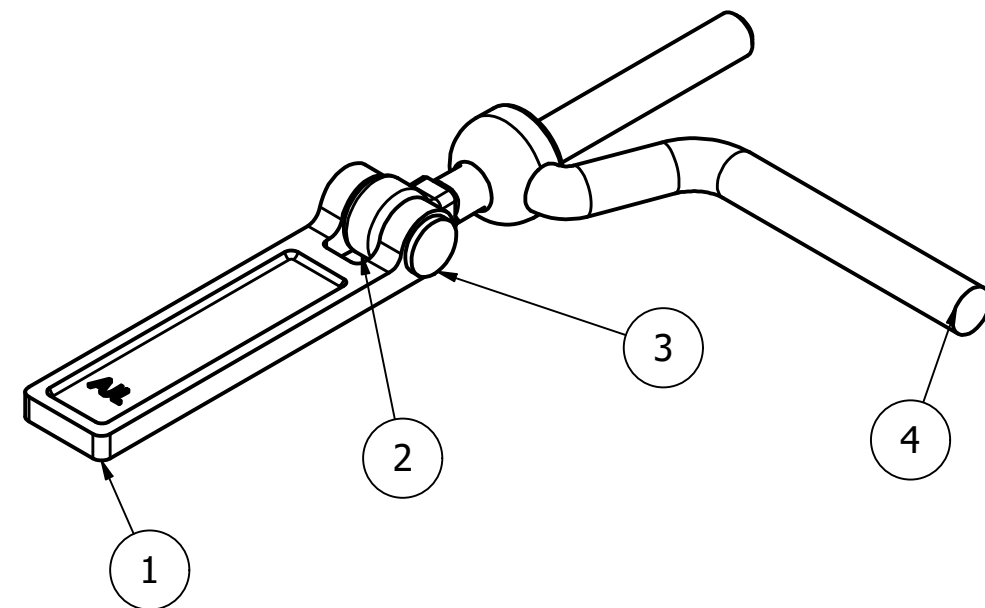
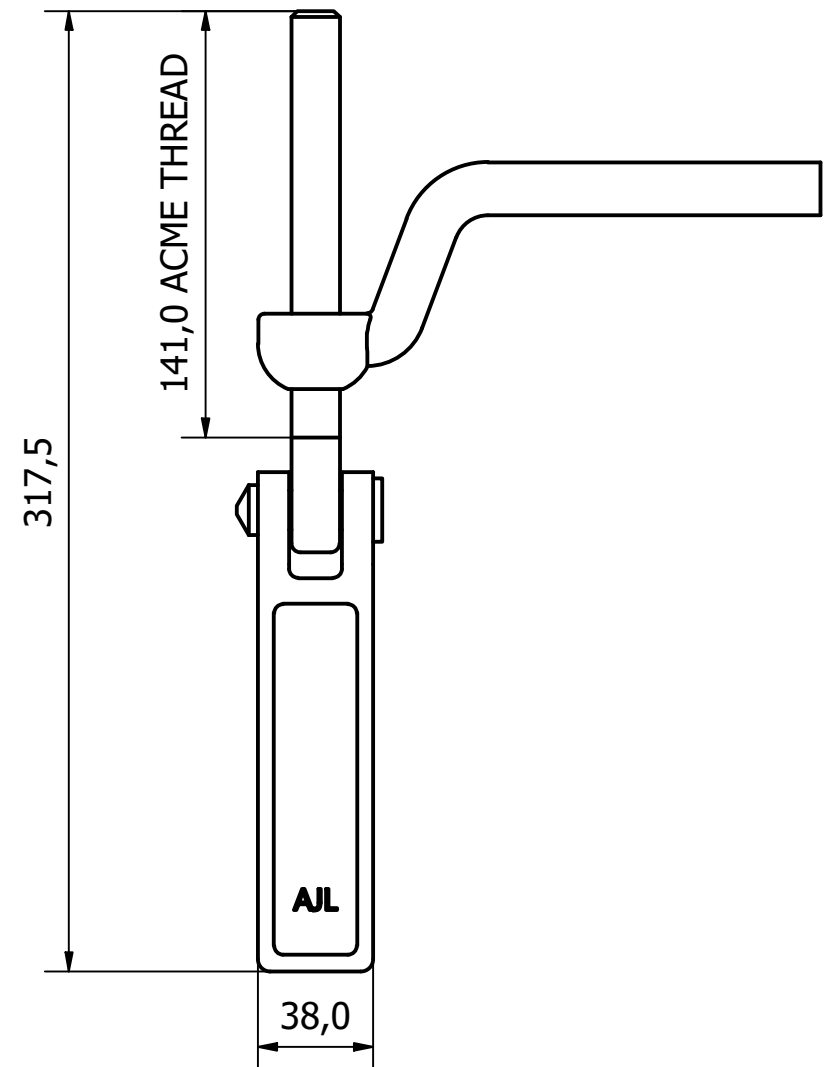


PARTS LIST			
ITEM	QTY	PART NUMBER	DESCRIPTION
1	1	2094-201-1	M/STEEL FASTENER BODY - SELF COLOURED
2	1	2094-201-2	M/STEEL M16 THREAD SHANK - SELF COLOURED
3	1	2094-201-3	M/STEEL RIVET - SELF COLOURED
4	1	2094-201-4	M/STEEL HANDLE - SELF COLOURED



1	VALIDATION COMPLETE	24/05/19	A.P
REV	DESCRIPTION	DATE	APPROVED

GENERAL TOLERANCES ON LENGTHS
0.5 - 6 ± 0.1mm
6 - 30 ± 0.2mm
30 - 120 ± 0.3mm
120 - 400 ± 0.5mm
400 - 1000 ± 0.8mm
1000 - 2000 ± 1.2mm
2000 - 4000 ± 2.0mm

ALBERT JAGGER LTD
 GREEN LANE
 WALSALL PHONE: 01922 471000
 WEST MIDLANDS FAX: 01922 648021
 WS2 8HG

THIS DRAWING & THE DESIGN SHOWN ARE THE PROPERTY OF ALBERT JAGGER LTD AND MUST NOT BE USED OR COPIED BY A THIRD PARTY WITHOUT PERMISSION

DRAWN BY A.S	CHECKED BY A.P	SCALE 1:2.5	MATERIAL SEE DRAWING	MASS 1.281 kg	FINISH SEE DRAWING	Date 03/05/2019	ALL DIMS IN MM UNLESS STATED DO NOT SCALE	A3
							RAMP FASTENER ASSEMBLY - M16 THREAD	
							2094-201	Edition 1