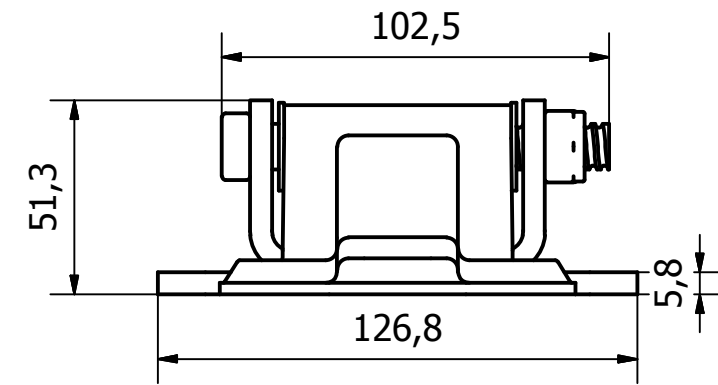
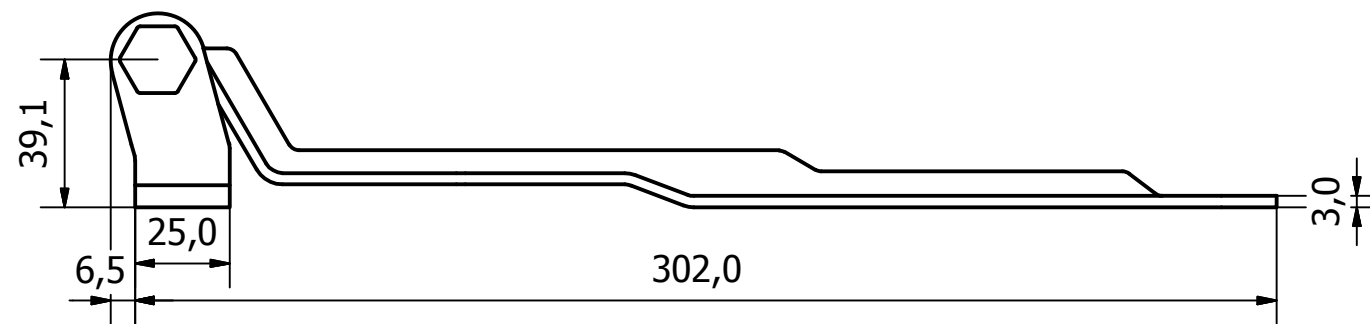
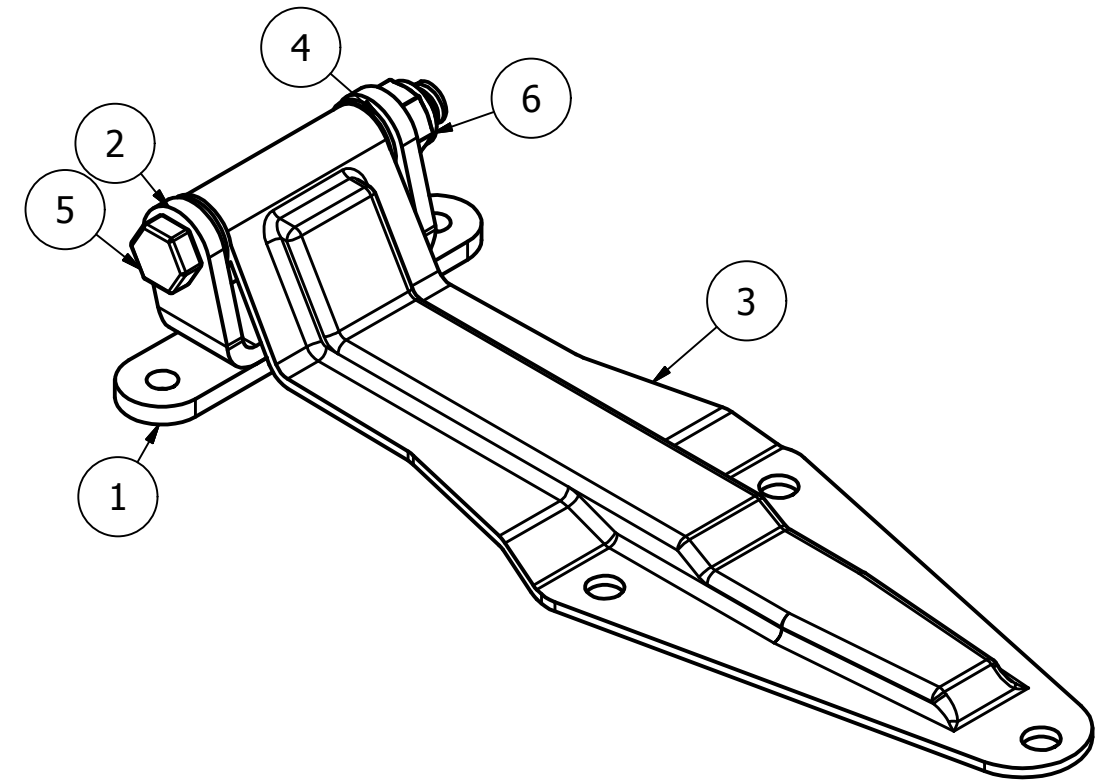


PARTS LIST			
ITEM	QTY	PART NUMBER	DESCRIPTION
1	1	2052-300-1	M/STEEL BASE MOUNTING PLATE
2	1	2052-300-2	M/STEEL HINGE PIN MOUNTING BRACKET
3	1	2052-300-3	M/STEEL HINGE BLADE
4	2	2052-300-4	NYLON BUSH
5	1	2052-300-5	M/STEEL M12 BOLT
6	1	2052-300-6	M/STEEL M12 NYLOC NUT



PART No.	MATERIAL	FINISH
2052/300	MILD STEEL	Z/C PASSIVATE
2052/400	T304 S/STEEL	MIRROR POLISH

GENERAL TOLERANCES ON LENGTHS
 0.5 - 6 ± 0.1mm
 6 - 30 ± 0.2mm
 30 - 120 ± 0.3mm
 120 - 400 ± 0.5mm
 400 - 1000 ± 0.8mm
 1000 - 1200 ± 1.2mm
 2000 - 4000 ± 2.0mm

ALBERT JAGGER LTD
 GREEN LANE
 WALSALL PHONE: 01922 471000
 WEST MIDLANDS FAX: 01922 648021
 WS2 8HG

THIS DRAWING & THE DESIGN SHOWN ARE THE PROPERTY OF ALBERT JAGGER LTD AND MUST NOT BE USED OR COPIED BY A THIRD PARTY WITHOUT PERMISSION

DRAWN BY
U.F

CHECKED BY
A.P

SCALE
1 : 2

MATERIAL
SEE NOTE

MASS
1.192 kg

FINISH
SEE NOTE

Date
16/03/2017

ALL DIMS IN MM UNLESS STATED DO NOT SCALE

A3

1	VALIDATION COMPLETE	29/03/17	A.P
REV	DESCRIPTION	DATE	APPROVED



REAR VAN DOOR HINGES
 2052-300
 Edition 1
 Sheet 1 / 1