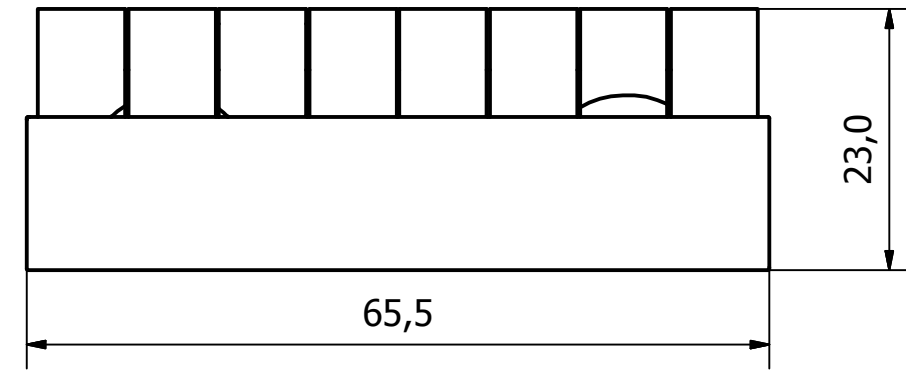
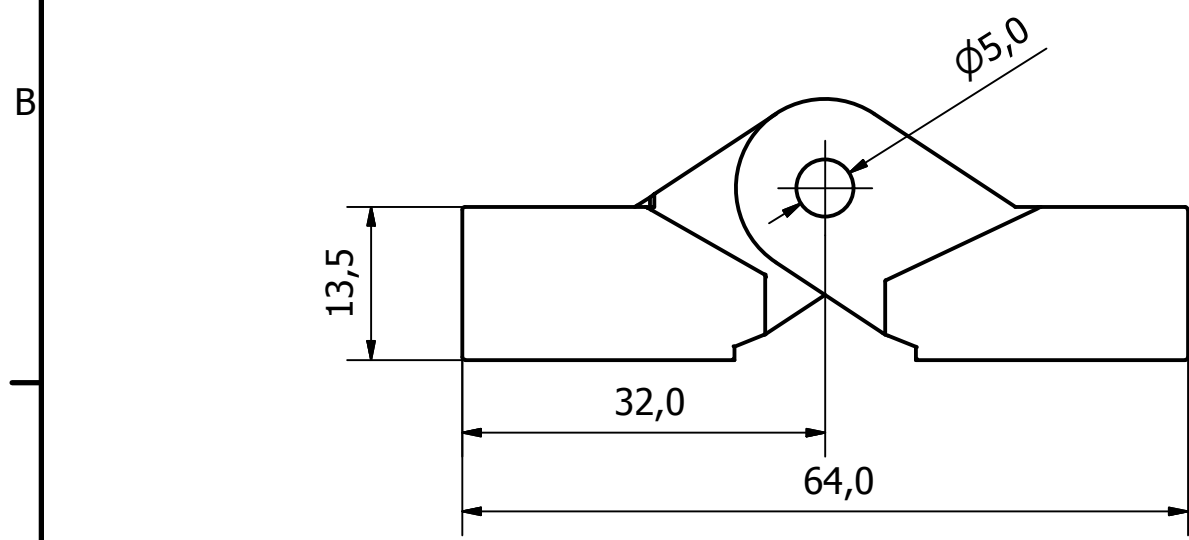


PARTS LIST			
ITEM	QTY	PART NUMBER	DESCRIPTION
1	2	1346-006-1	HINGE BODY
2	1	1346-006-2	SS HINGE PIN - 63.5 O/A



4 x 12 √ 6 @ 90°

1 2

1		VALIDATION COMPLETE		16/11/16		A.P					
REV		DESCRIPTION		DATE		APPROVED					
U.F		A.P		Date 12/10/2016		ALL DIMS IN MM UNLESS STATED DO NOT SCALE					
DRAWN BY		CHECKED BY		SCALE		MATERIAL					
U.F		A.P		1.5 : 1		-					
MASS		FINISH		Date		ALL DIMS IN MM					
0.068 kg		BLACK		12/10/2016		UNLESS STATED					
FINISH		Date		Edition		Sheet					
BLACK		12/10/2016		1		1 / 1					
<p>GENERAL TOLERANCES ON LENGTHS</p> <p>0.5 - 6 ± 0.1mm 6 - 30 ± 0.2mm 30 - 120 ± 0.3mm 120 - 400 ± 0.5mm 400 - 1000 ± 0.8mm 1000 - 1200 ± 1.2mm 2000 - 4000 ± 2.0mm</p>				<p>ALBERT JAGGER LTD GREEN LANE WALSALL PHONE: 01922 471000 WEST MIDLANDS FAX: 01922 648021 WS2 8HG</p>				<p>THIS DRAWING & THE DESIGN SHOWN ARE THE PROPERTY OF ALBERT JAGGER LTD AND MUST NOT BE USED OR COPIED BY A THIRD PARTY WITHOUT PERMISSION</p>			
				<p>CABINET HINGE - 64 x 65.5</p>				<p>1346-006</p>			