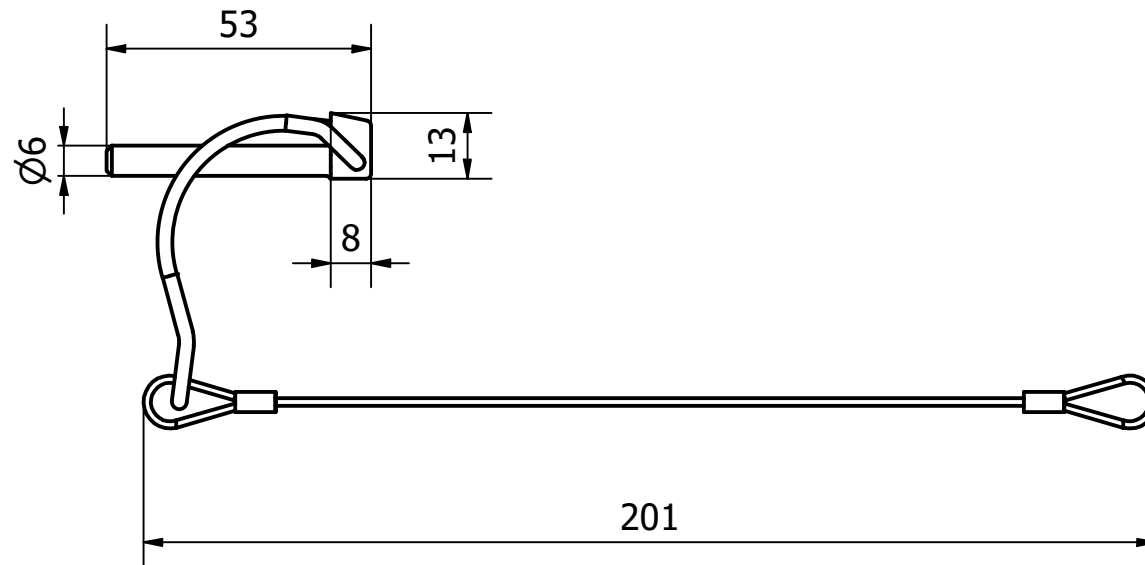
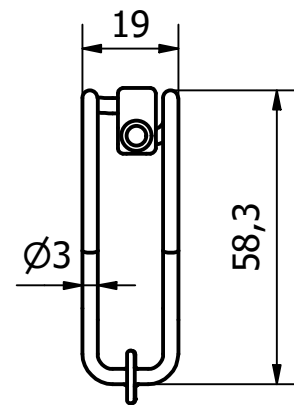
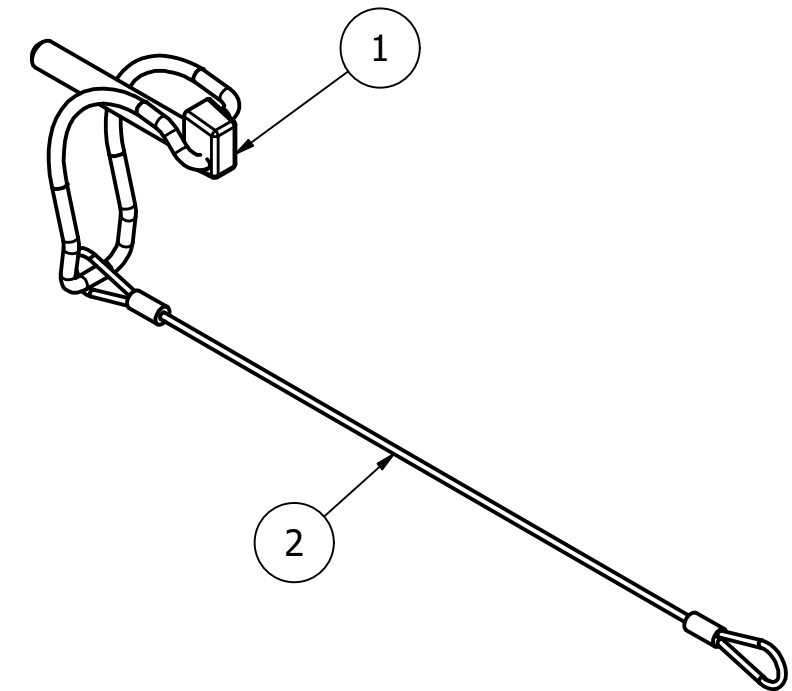
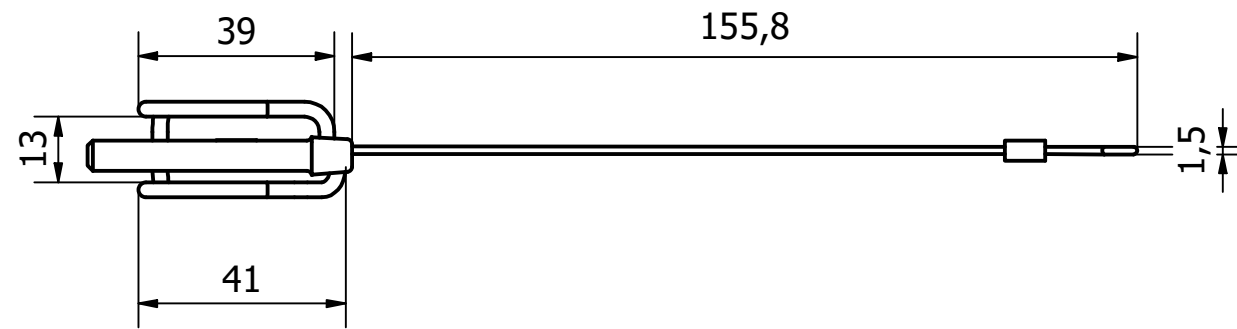


PARTS LIST			
ITEM	QTY	PART NUMBER	DESCRIPTION
1	1	1056-797-1	M/STEEL PIN AND BAR -Z/C PLATED - CLEAR PASSIVATE
2	1	1056-797-4	M/STEEL- ROD- Z/C PLATED - CLEAR PASSIVATE



REV	DESCRIPTION	DATE	APPROVED
2	ADDED CLEAR PASSIVATE	30/09/2022	S.R
1	VALIDATION COMPLETE	16/09/2022	C.H

GENERAL TOLERANCES ON LENGTHS
0.5 - 6 ± 0.1mm
6 - 30 ± 0.2mm
30 - 120 ± 0.3mm
120 - 400 ± 0.5mm
400 - 1000 ± 0.8mm
1000 - 2000 ± 1.2mm
2000 - 4000 ± 2.0mm

ALBERT JAGGER LTD  
 GREEN LANE  
 WALSALL PHONE: 01922 471000  
 WEST MIDLANDS FAX: 01922 648021  
 WS2 8HG

THIS DRAWING & THE DESIGN SHOWN ARE THE PROPERTY OF ALBERT JAGGER LTD AND MUST NOT BE USED OR COPIED BY A THIRD PARTY WITHOUT PERMISSION

DRAWN BY  
S.R

CHECKED BY  
C.H

SCALE  
1 : 1.5

MATERIAL  
SEE TABLE

MASS  
0.030 kg

FINISH  
SEE TABLE

Date  
16/09/2022

ALL DIMS IN MM UNLESS STATED DO NOT SCALE

**albert Jagger**

PIPE PIN		Edition	Sheet
1056-797		2	1 / 1