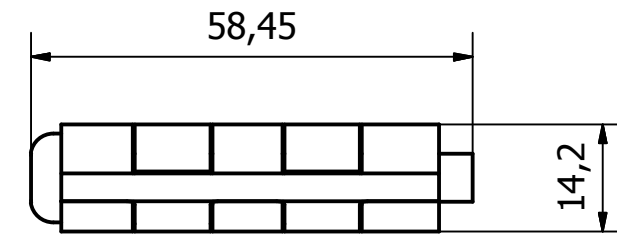
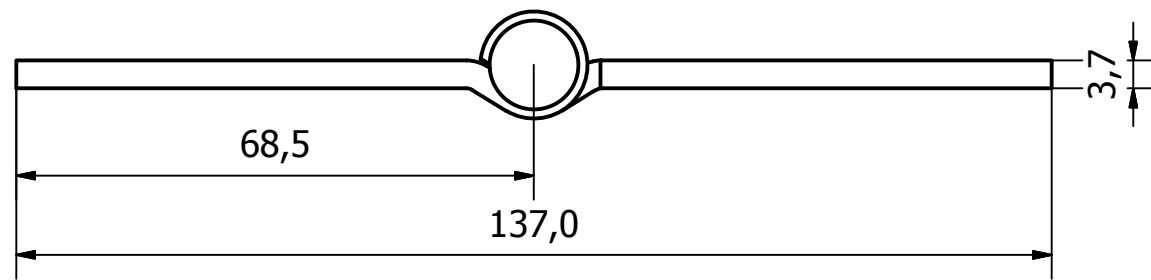
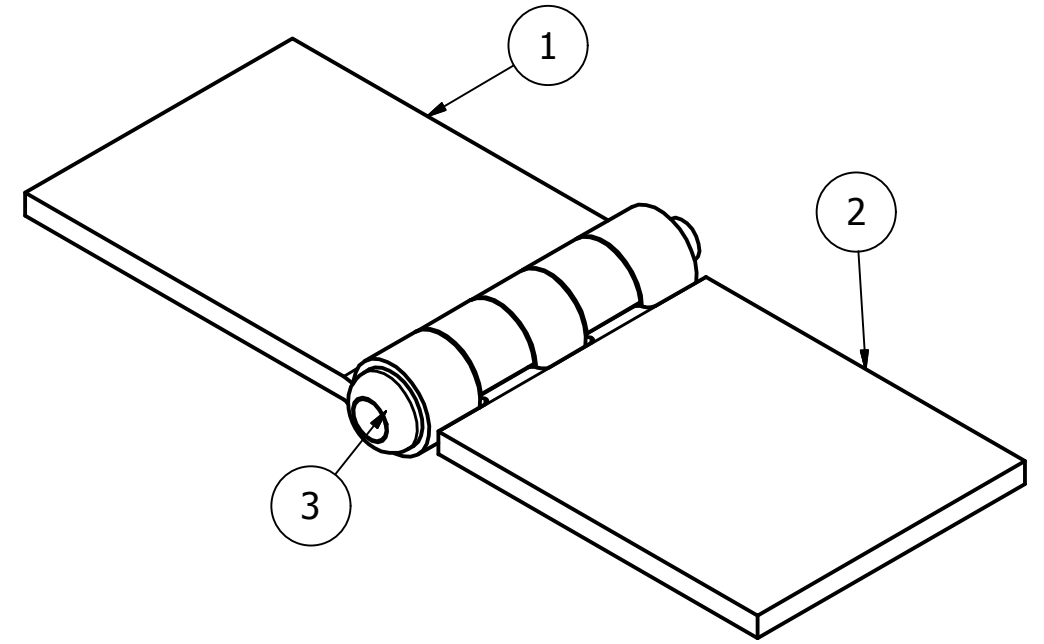


PARTS LIST			
ITEM	QTY	PART NUMBER	DESCRIPTION
1	1	0991-001-1	M/STEEL MAIN HINGE FLAP
2	1	0991-001-2	M/STEEL MOUNTING HINGE FLAP
3	1	0991-001-3	M/STEEL HINGE PIN - 58.45 O/A



NOTE:  
HINGE DESIGNED FOR 280° OPENINGS

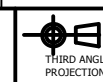
GENERAL TOLERANCES ON LENGTHS
0.5 - 6 ± 0.1mm
6 - 30 ± 0.2mm
30 - 120 ± 0.3mm
120 - 400 ± 0.5mm
400 - 1000 ± 0.8mm
1000 - 1200 ± 1.2mm
2000 - 4000 ± 2.0mm

ALBERT JAGGER LTD  
GREEN LANE  
WALSALL PHONE: 01922 471000  
WEST MIDLANDS FAX: 01922 648021  
WS2 8HG

THIS DRAWING & THE DESIGN SHOWN  
ARE THE PROPERTY OF ALBERT JAGGER LTD  
AND MUST NOT BE USED OR COPIED BY A  
THIRD PARTY WITHOUT PERMISSION

DRAWN BY  
U.F

CHECKED BY  
A.P



SCALE  
1 : 1

MATERIAL  
-

MASS  
0.239 kg

FINISH  
NATURAL

Date  
03/11/2016

ALL DIMS IN MM  
UNLESS STATED  
DO NOT SCALE

A3



COACH HINGE - PRESSED STEEL C/W ROLLED JOINT	
0991-001	Edition 1 / Sheet 1 / 1

1	VALIDATION COMPLETE	07/12/16	A.P
REV	DESCRIPTION	DATE	APPROVED