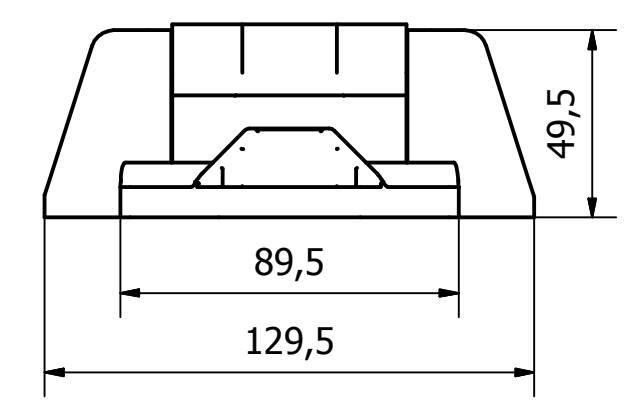
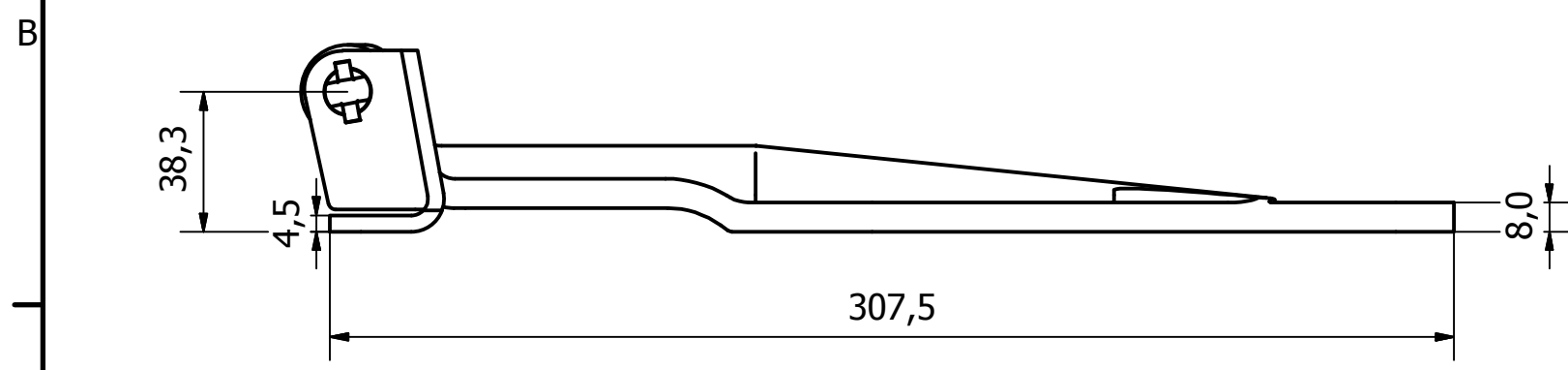
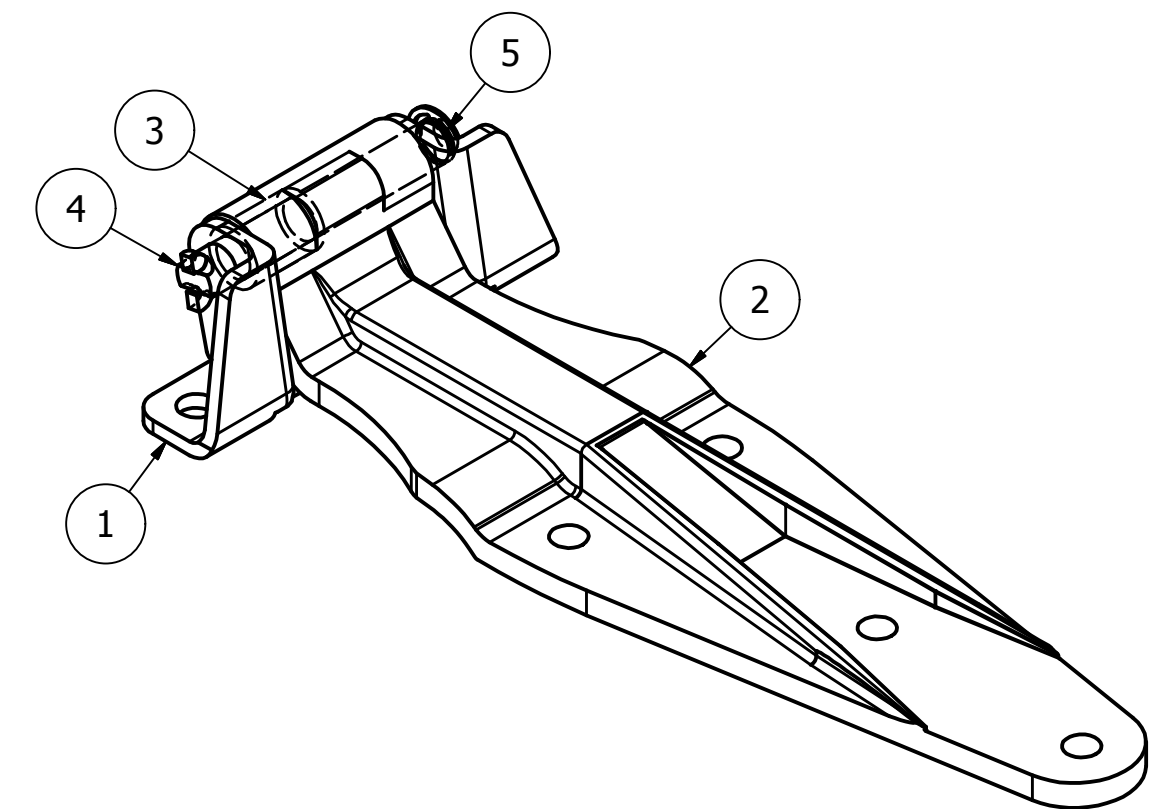


PARTS LIST			
ITEM	QTY	PART NUMBER	DESCRIPTION
1	1	0973-001-1	M/STEEL HINGE MOUNTING BODY
2	1	0973-001-2	M/STEEL HINGE BLADE
3	2	0973-0011-3	NYLON BUSH
4	1	0973-0011-4	M/STEEL HINGE PIN
5	1	0973-0011-5	M/STEEL C CLIP



1	VALIDATION COMPLETE	29/03/17	A.P
REV	DESCRIPTION	DATE	APPROVED
U.F	A.P	21/03/2017	A3
SCALE	MATERIAL	MASS	FINISH
1 : 2	-	2.057 kg	Z/C PASSIVATE
REAR VAN DOOR BOLT ON HINGE - 270 DEG OPERATION		Date	ALL DIMS IN MM UNLESS STATED DO NOT SCALE
0973-001		21/03/2017	
		Edition	Sheet
		1	1 / 1

GENERAL TOLERANCES ON LENGTHS  
0.5 - 6 ± 0.1mm  
6 - 30 ± 0.2mm  
30 - 120 ± 0.3mm  
120 - 400 ± 0.5mm  
400 - 1000 ± 0.8mm  
1000 - 1200 ± 1.2mm  
2000 - 4000 ± 2.0mm

ALBERT JAGGER LTD  
GREEN LANE  
WALSALL WEST MIDLANDS WS2 8HG  
PHONE: 01922 471000  
FAX: 01922 648021

THIS DRAWING & THE DESIGN SHOWN ARE THE PROPERTY OF ALBERT JAGGER LTD AND MUST NOT BE USED OR COPIED BY A THIRD PARTY WITHOUT PERMISSION

DRAWN BY  
U.F

CHECKED BY  
A.P

THIRD ANGLE PROJECTION



0973-001

Edition 1

Sheet 1 / 1