

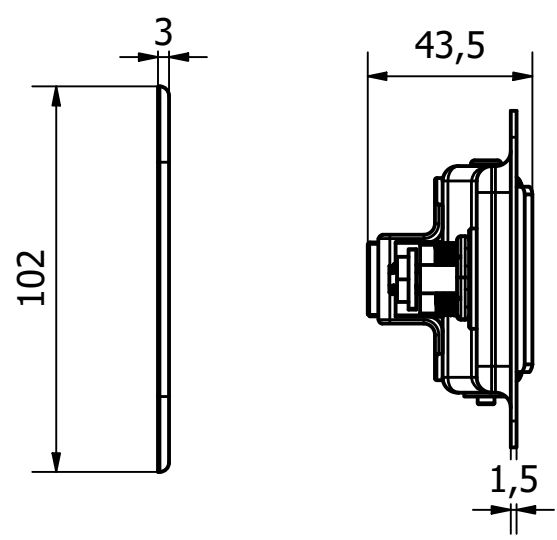
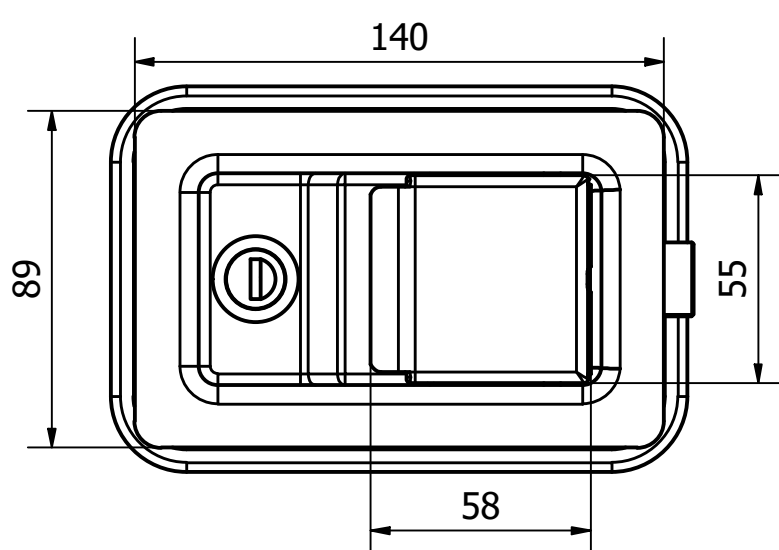
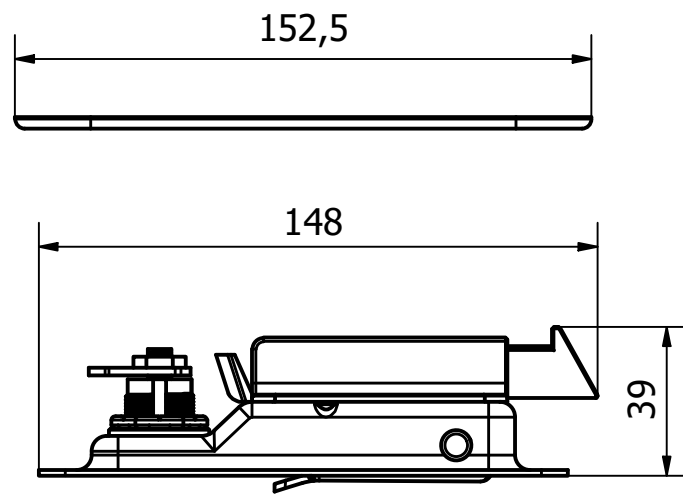
6 5 4 3 2 1

D D

C C

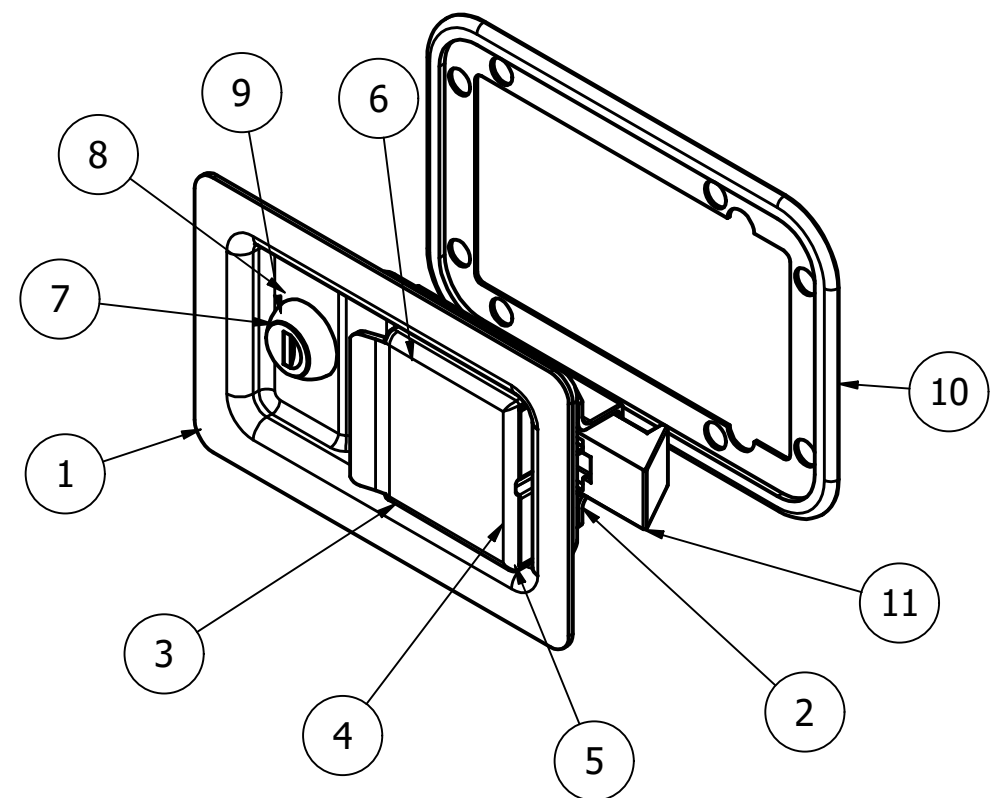
B B

A A



PARTS LIST

ITEM	QTY	PART NUMBER	DESCRIPTION
1	1	0907-019-2	M/STEEL-ZINC PLATED PRESSED PAN- Z/C PASSIVATE
2	1	0907-019-3	M/STEEL- ZINC PLATED PRESSED TONGUE HOLDER-Z/C PASSIVATE
3	1	0907-003-5	M/STEEL- ZINC PLATED PRESSED PADDLE HANDLE-Z/C PASSIVATE
4	1	0907-005-4	M/STEEL- ZINC PLATED RIVIT
5	1	0907-005-6	M/STEEL- RIVIT BOLT
6	1	0907-005-7	STEEL SPRING
7	1	0907-011-2	M/STEEL- ZINC PLATED LOCK BARREL-Z/C PASSIVATE
8	1	0907-011-5	WASHER
9	1	0907-011-4	BOLT NUT
10	1	0907-005-9	BLACK PLASTIC GASKET
11	1	0907-019-1	M/STEEL- SOLID TONGUE-Z/C PASSIVATE



1	VALIDATION COMPLETE	02/08/2021	C.H
REV	DESCRIPTION	DATE	APPROVED

GENERAL TOLERANCES ON LENGTHS

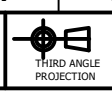
0.5 - 6 ± 0.1mm
6 - 30 ± 0.2mm
30 - 120 ± 0.3mm
120 - 400 ± 0.5mm
400 - 1000 ± 0.8mm
1000 - 2000 ± 1.2mm
2000 - 4000 ± 2.0mm

ALBERT JAGGER LTD
 GREEN LANE
 WALSALL PHONE: 01922 471000
 WEST MIDLANDS FAX: 01922 648021
 WS2 8HG

THIS DRAWING & THE DESIGN SHOWN ARE THE PROPERTY OF ALBERT JAGGER LTD AND MUST NOT BE USED OR COPIED BY A THIRD PARTY WITHOUT PERMISSION

DRAWN BY S.R

CHECKED BY C.H



SCALE 1 : 2

MATERIAL SEE TABLE

MASS 0.517 kg

FINISH SEE TABLE

Date 28/07/2021

ALL DIMS IN MM UNLESS STATED DO NOT SCALE

A3



PADDLE LOCK - SMALL 0907 SERIES - ZINC/ZINC/SOLID TONGUE

0907-019

Edition 1	Sheet 1 / 1
-----------	-------------

6 5 4 3 2 1