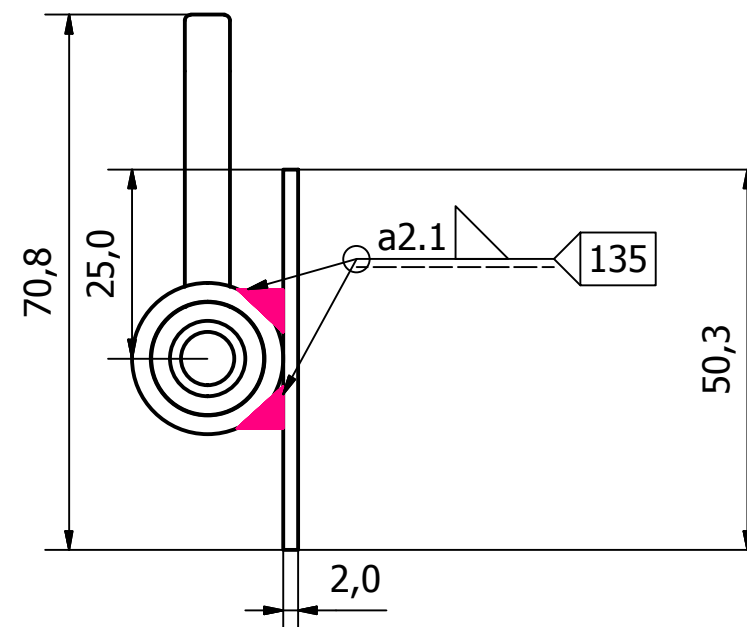
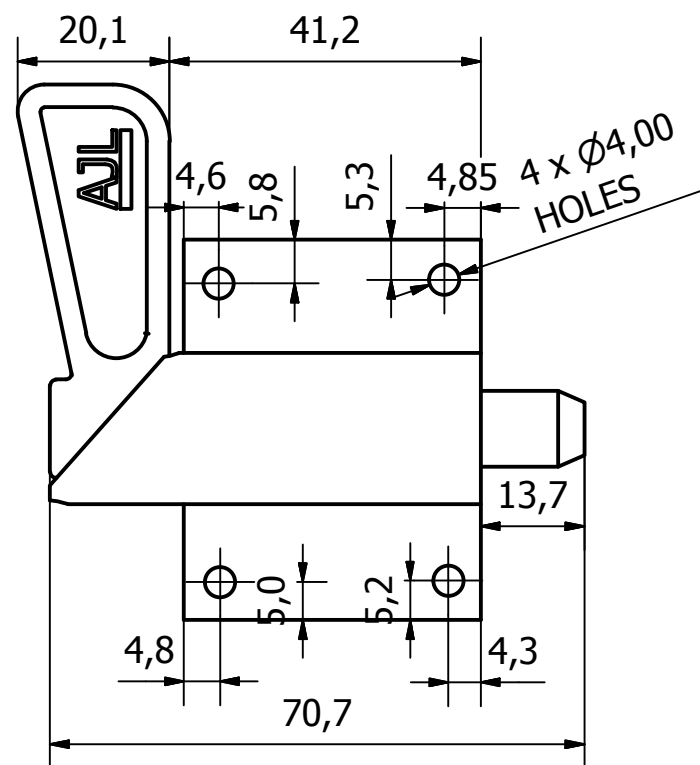
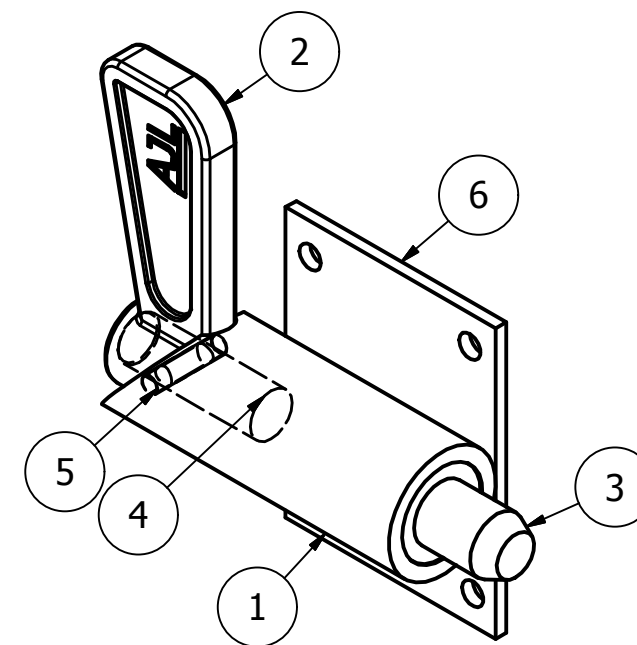


PARTS LIST			
ITEM	QTY	PART NUMBER	DESCRIPTION
1	1	0838-001-1	M/STEEL BOLT BODY
2	1	0838-001-2	M/STEEL LEVER
3	1	0838-001-3	M/STEEL BOLT
4	1	0838-001-4	M/STEEL BOLT PIN
5	1	0838-001-5	M/STEEL LEVER PIN
6	1	0838-0013-1	M/STEEL SIDE PLATE



1	VALIDATION COMPLETE	29/03/17	A.P
REV	DESCRIPTION	DATE	APPROVED

GENERAL TOLERANCES ON LENGTHS
0.5 - 6 ± 0.1mm
6 - 30 ± 0.2mm
30 - 120 ± 0.3mm
120 - 400 ± 0.5mm
400 - 1000 ± 0.8mm
1000 - 1200 ± 1.2mm
2000 - 4000 ± 2.0mm

ALBERT JAGGER LTD
 GREEN LANE
 WALSALL PHONE: 01922 471000
 WEST MIDLANDS FAX: 01922 648021
 WS2 8HG

THIS DRAWING & THE DESIGN SHOWN ARE THE PROPERTY OF ALBERT JAGGER LTD AND MUST NOT BE USED OR COPIED BY A THIRD PARTY WITHOUT PERMISSION

DRAWN BY
U.F

CHECKED BY
A.P

SCALE
1 : 1

MATERIAL
-

MASS
0.173 kg

FINISH
Z/C
PASSIVATE

Date
20/12/2016

ALL DIMS IN MM
UNLESS STATED
DO NOT SCALE

A3



SHOOT BOLT C/W WELDED SIDE PLATE -RH

0838-0013

Edition
1

Sheet
1 / 1