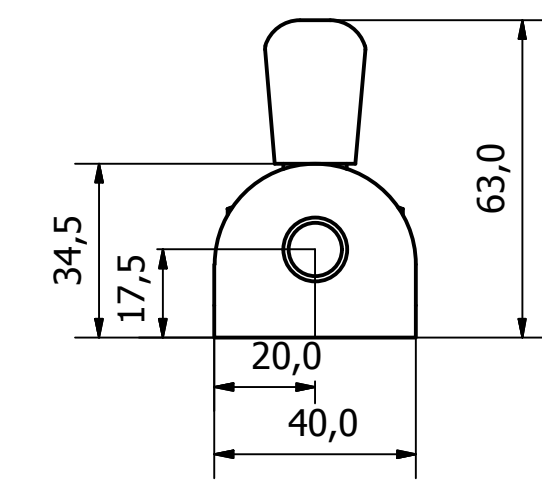
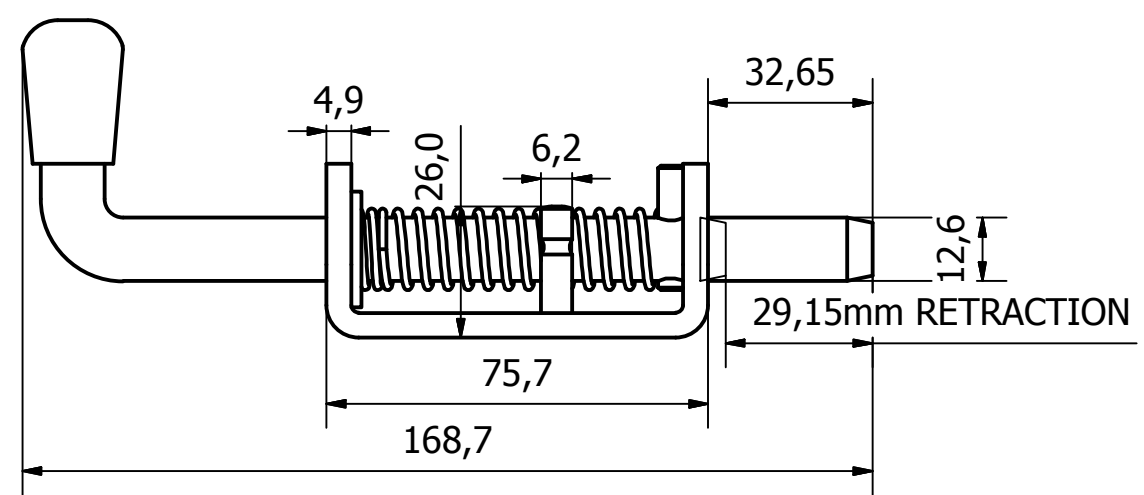
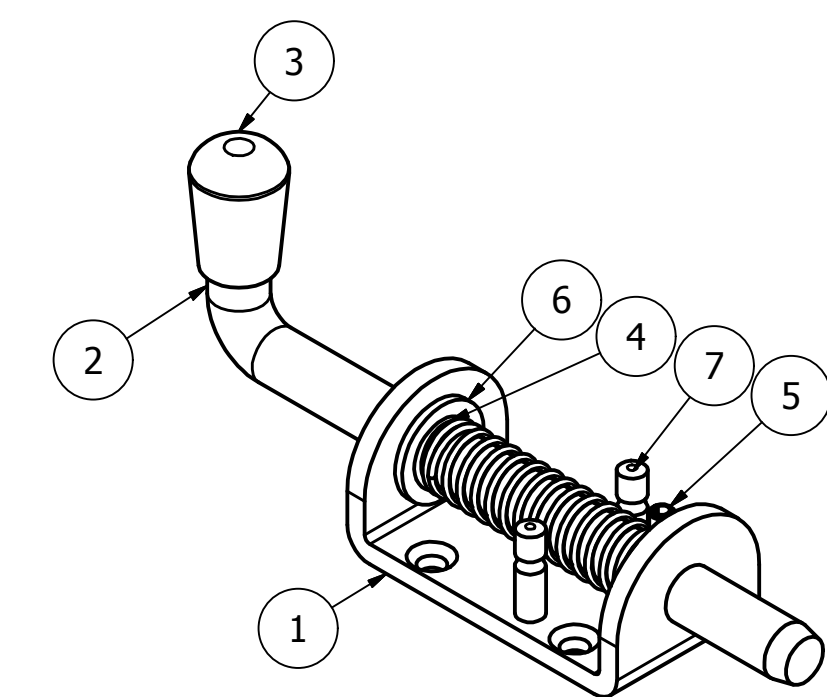
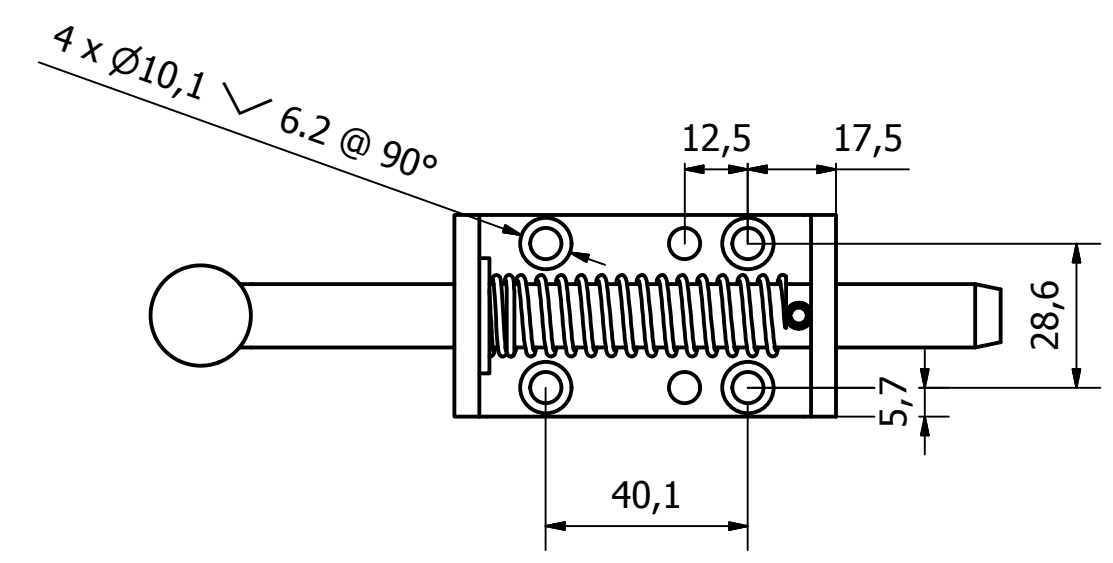


6 5 4 3 2 1

| PARTS LIST |     |             |                                 |
|------------|-----|-------------|---------------------------------|
| ITEM       | QTY | PART NUMBER | DESCRIPTION                     |
| 1          | 1   | 0837-020-1  | S/STEEL SPRING BOLT BASE PLATE  |
| 2          | 1   | 0837-020-2  | S/STEEL 90 DEG BOLT - 165 O/A   |
| 3          | 1   | 0837-020-3  | RED PLASTIC CAP                 |
| 4          | 1   | 0837-020-6  | S/STEEL SPRING                  |
| 5          | 1   | 0837-020-4  | S/STEEL BOLT PIN - 40 O/A       |
| 6          | 1   | 0837-020-5  | S/STEEL WASHER - 22.8 O/D       |
| 7          | 2   | 0837-020-7  | S/STEEL PILLAR INSERTS - 26 O/A |

D  
C  
B  
A



|     |                     |          |          |
|-----|---------------------|----------|----------|
| 1   | VALIDATION COMPLETE | 29/03/17 | A.P      |
| REV | DESCRIPTION         | DATE     | APPROVED |

| GENERAL TOLERANCES ON LENGTHS |  |
|-------------------------------|--|
| 0.5 - 6 ± 0.1mm               |  |
| 6 - 30 ± 0.2mm                |  |
| 30 - 120 ± 0.3mm              |  |
| 120 - 400 ± 0.5mm             |  |
| 400 - 1000 ± 0.8mm            |  |
| 1000 - 1200 ± 1.2mm           |  |
| 2000 - 4000 ± 2.0mm           |  |

ALBERT JAGGER LTD  
 GREEN LANE  
 WALSALL PHONE: 01922 471000  
 WEST MIDLANDS FAX: 01922 648021  
 WS2 8HG

THIS DRAWING & THE DESIGN SHOWN ARE THE PROPERTY OF ALBERT JAGGER LTD AND MUST NOT BE USED OR COPIED BY A THIRD PARTY WITHOUT PERMISSION

|                 |                   |                |               |                  |                   |                        |   |    |
|-----------------|-------------------|----------------|---------------|------------------|-------------------|------------------------|---|----|
| DRAWN BY<br>U.F | CHECKED BY<br>A.P | SCALE<br>1:1.5 | MATERIAL<br>- | MASS<br>0.402 kg | FINISH<br>NATURAL | Date<br>15/12/2016     | ALL DIMS IN MM UNLESS STATED DO NOT SCALE | A3 |
|                 |                   |                |               |                  |                   | 12.7mm S/S SPRING BOLT |   |    |
|                 |                   |                |               |                  |                   | 0837-020               | Edition<br>1<br>Sheet<br>1 / 1            |    |

6 5 4 3 2 1