

6 5 4 3 2 1

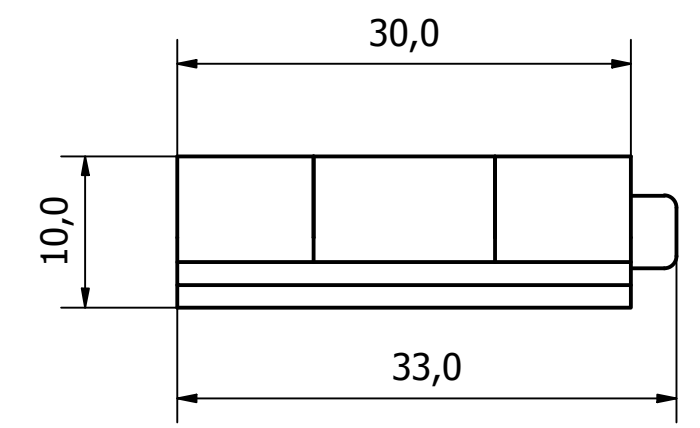
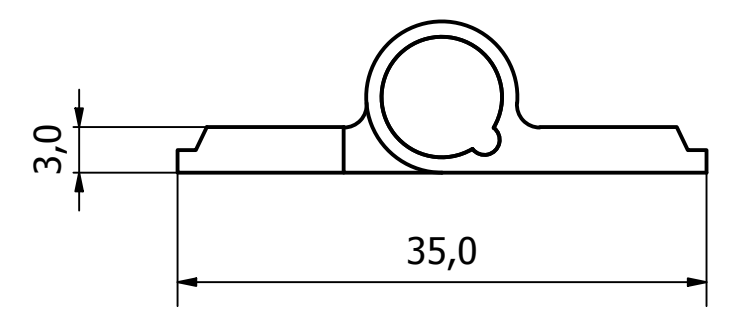
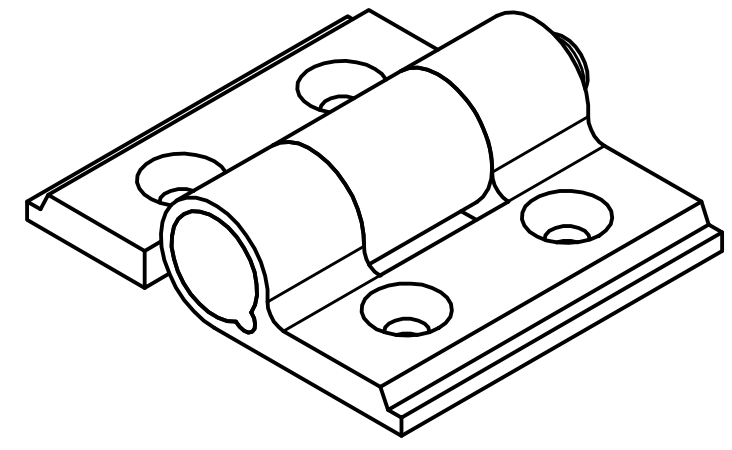
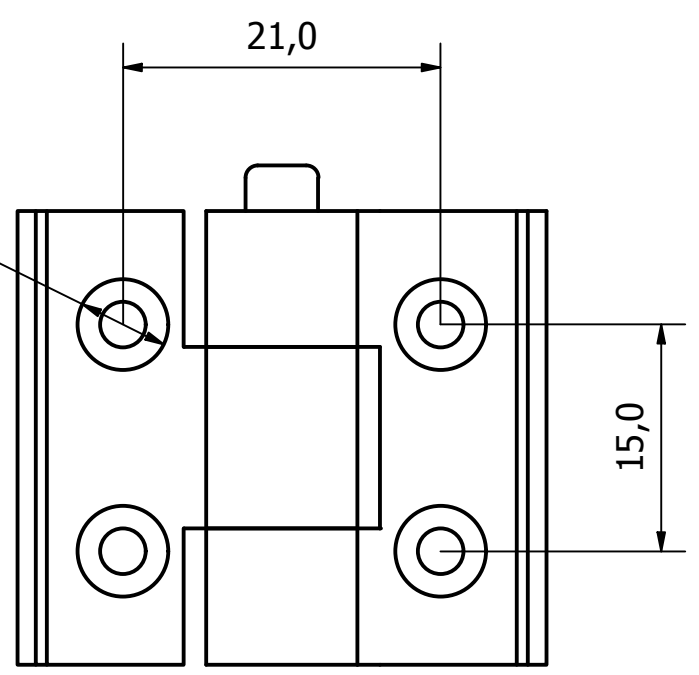
D D

C C

B B

A A

4 x Ø6,0 HOLES ∇ Ø3.0 @ 90°



NOTE:

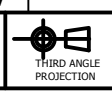
HINGE MANUFACTURED FROM 6060 T5 ALUMINIUM
 BLACK ANNOIDISED FINISH
 FRICTION TORQUE ADJUSTABLE 0 - 1Nm
 SCREW FIXING

GENERAL TOLERANCES ON LENGTHS
0.5 - 6 ± 0.1mm
6 - 30 ± 0.2mm
30 - 120 ± 0.3mm
120 - 400 ± 0.5mm
400 - 1000 ± 0.8mm
1000 - 2000 ± 1.2mm
2000 - 4000 ± 2.0mm

ALBERT JAGGER LTD
 GREEN LANE
 WALSALL PHONE: 01922 471000
 WEST MIDLANDS FAX: 01922 648021
 WS2 8HG
 THIS DRAWING & THE DESIGN SHOWN
 ARE THE PROPERTY OF ALBERT JAGGER LTD
 AND MUST NOT BE USED OR COPIED BY A
 THIRD PARTY WITHOUT PERMISSION

DRAWN BY
 U.F

CHECKED BY
 A.P



SCALE
 2 : 1

MATERIAL
 SEE NOTE

MASS
 0.012 kg

FINISH
 SEE NOTE

Date
 07/11/2018

ALL DIMS IN MM
 UNLESS STATED
 DO NOT SCALE

A3



FRICITION HINGE 30mm x 35mm

0486-7214137

Edition
 1

Sheet
 1 / 1

1	VALIDATION COMPLETE	03/01/18	A.P
REV	DESCRIPTION	DATE	APPROVED

1	VALIDATION COMPLETE	03/01/18	A.P
REV	DESCRIPTION	DATE	APPROVED

1	VALIDATION COMPLETE	03/01/18	A.P
REV	DESCRIPTION	DATE	APPROVED

1	VALIDATION COMPLETE	03/01/18	A.P
REV	DESCRIPTION	DATE	APPROVED

6 5 4 3 2 1