

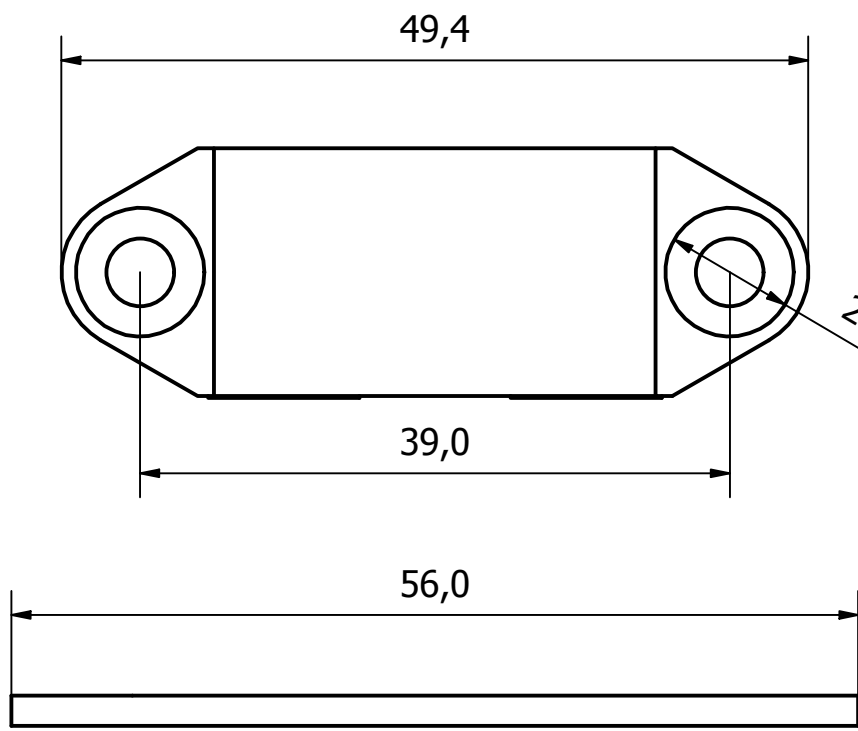
6 5 4 3 2 1

D

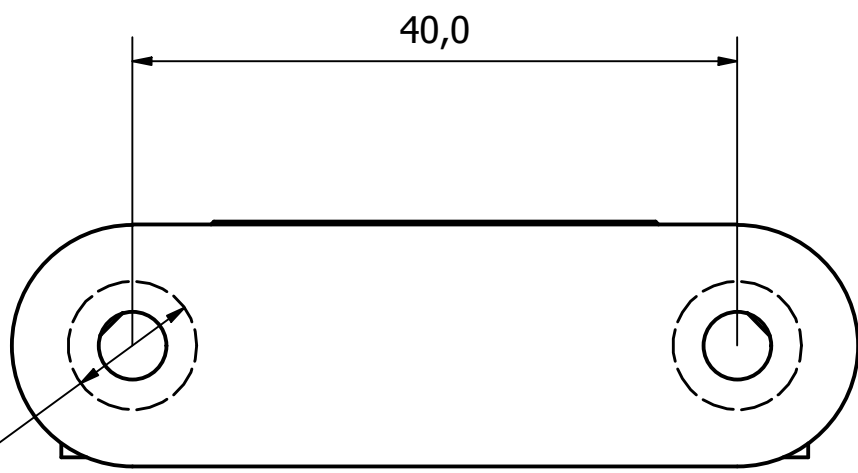
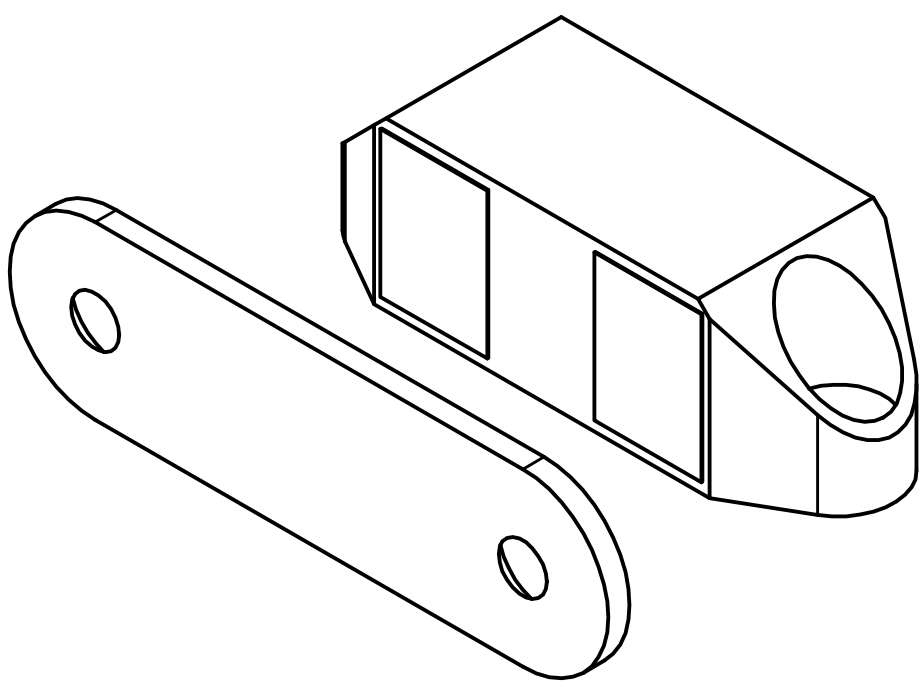
C

B

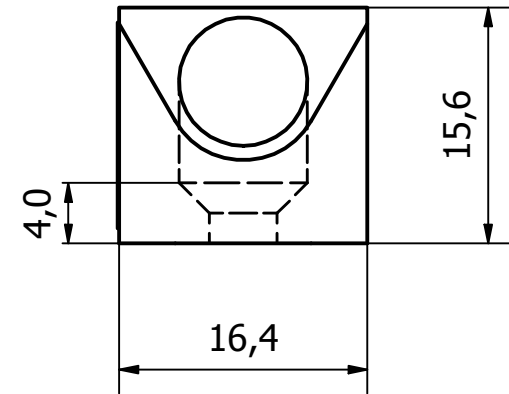
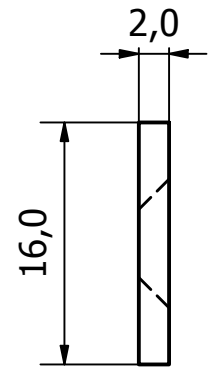
A



2 x Ø8,50 HOLES \sphericalangle Ø4.5 @ 90°



2 x Ø8,50 HOLES \sphericalangle Ø4.5 @ 90°



NOTE:
4KG MAGNETIC PULL FORCE
FOR USE UP TO 80°C

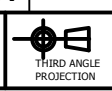
GENERAL TOLERANCES ON LENGTHS
0.5 - 6 ± 0.1mm
6 - 30 ± 0.2mm
30 - 120 ± 0.3mm
120 - 400 ± 0.5mm
400 - 1000 ± 0.8mm
1000 - 2000 ± 1.2mm
2000 - 4000 ± 2.0mm

ALBERT JAGGER LTD
GREEN LANE
WALSALL PHONE: 01922 471000
WEST MIDLANDS FAX: 01922 648021
WS2 8HG

THIS DRAWING & THE DESIGN SHOWN
ARE THE PROPERTY OF ALBERT JAGGER LTD
AND MUST NOT BE USED OR COPIED BY A
THIRD PARTY WITHOUT PERMISSION

DRAWN BY
A.S

CHECKED BY
A.P



SCALE
2 : 1

MATERIAL
ZINC
DIE CAST

MASS
0.075 kg

FINISH
NICKEL
PLATED

Date
19/11/2018

ALL DIMS IN MM
UNLESS STATED
DO NOT SCALE

A3



ZINC DIE CAST MAGNETIC CATCH

0486-1673494

Edition
1

Sheet
1 / 1

6 5 4 3 2 1