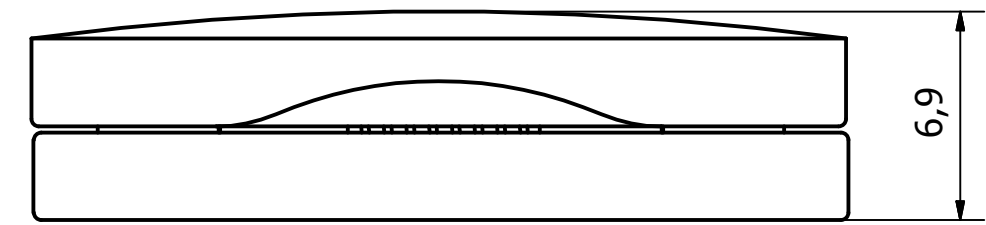
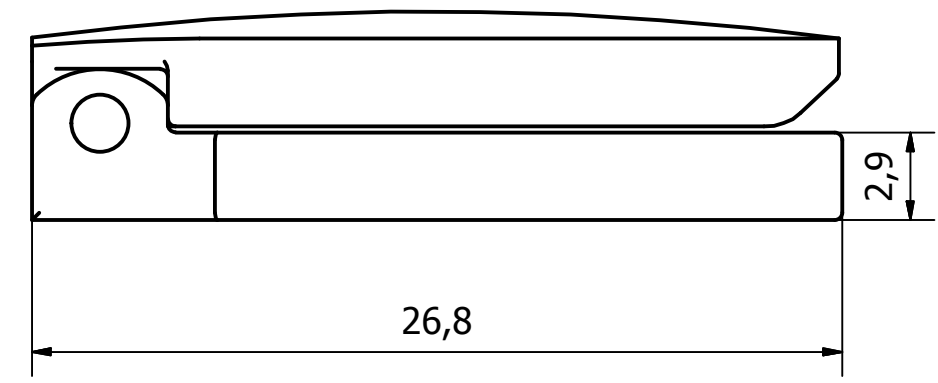
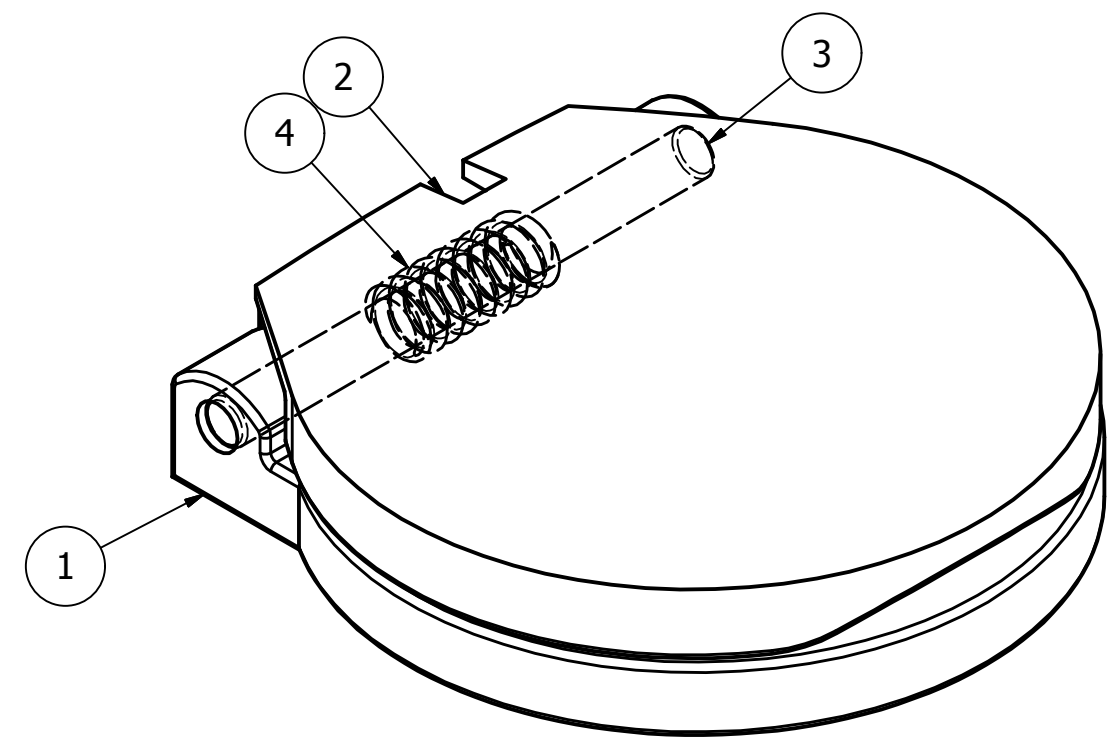


PARTS LIST			
ITEM	QTY	PART NUMBER	DESCRIPTION
1	1	0130-001-1	POLISHED CHROME ZINC DIE CAST BASE
2	1	0130-001-2	POLISHED CHROME ZINC DIE CAST LID
3	1	0130-001-3	M/STEEL LID PIN
4	1	0130-001-4	M/STEEL LID SPRING



NOTE:
LID OPENS TO 90°

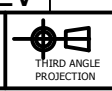
GENERAL TOLERANCES ON LENGTHS
0.5 - 6 ± 0.1mm
6 - 30 ± 0.2mm
30 - 120 ± 0.3mm
120 - 400 ± 0.5mm
400 - 1000 ± 0.8mm
1000 - 2000 ± 1.2mm
2000 - 4000 ± 2.0mm

ALBERT JAGGER LTD
GREEN LANE
WALSALL PHONE: 01922 471000
WEST MIDLANDS FAX: 01922 648021
WS2 8HG

THIS DRAWING & THE DESIGN SHOWN ARE THE PROPERTY OF ALBERT JAGGER LTD AND MUST NOT BE USED OR COPIED BY A THIRD PARTY WITHOUT PERMISSION

DRAWN BY
U.F

CHECKED BY
A.P



SCALE
4 : 1

MATERIAL
-

MASS
0.017 kg

FINISH
POLISHED CHROME

Date
23/05/2017

ALL DIMS IN MM UNLESS STATED DO NOT SCALE

A3

REV	DESCRIPTION	DATE	APPROVED
1	VALIDATION COMPLETE	28/07/17	A.P



POLISHED CHROME SPRING LIDDED ESCUTCHEON	
0130-001	1 / 1
Edition 1	Sheet 1 / 1