

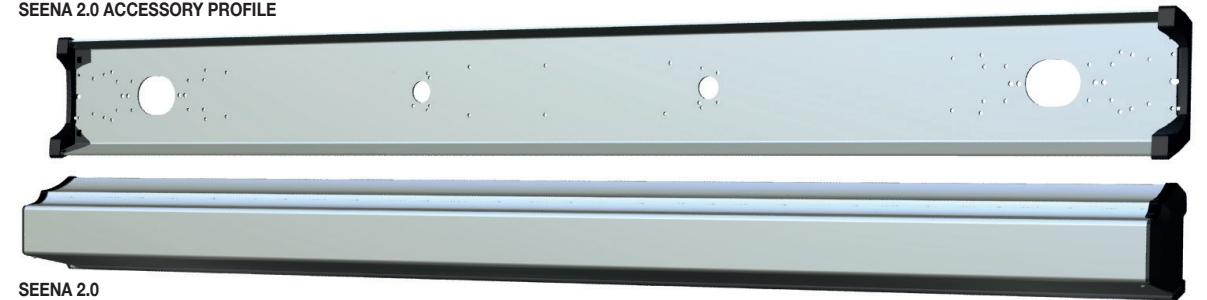
# SEENA 2.0

ALUMINIUM UNDERRUN PROTECTION SYSTEM

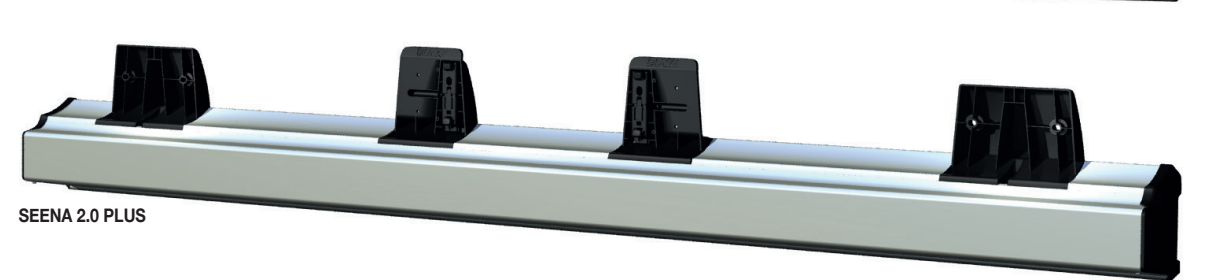
# SEENA 2.0

ALUMINIUM UNDERRUN PROTECTION SYSTEM

SEENA 2.0 ACCESSORY PROFILE



SEENA 2.0

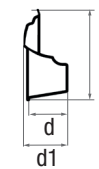


SEENA 2.0 PLUS

Anodized aluminium 6082 T6 profile and cable housing cover - GF Reinforced nylon end caps  
Profile/bracket fastening hardware included

Anodized aluminium  
3 available versions  
4 standard legths, other legths upon request  
Compatible with most popular brands lighting  
Mounting supports and reinforcement brakets  
Customisable rear mudflaps availability  
Laser customisation upon request

Type-approved: Seena aluminium rear underrun protection profile is type-approved according to Regulation ECE R.58-03



SEENA 2.0 PLUS

Fully integrated rear underrun protection device – number plate and light holders included

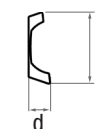
Code	L	H	d/d1	kg	std packaging
37 49 37 070	2100	339	154/168	20,1	
37 49 37 090	2200	339	154/168	21	
37 49 37 110	2300	339	154/168	21,85	
37 49 37 130	2400	339	154/168	22,7	



SEENA 2.0

Rear underrun protection

Code	L	H	d	kg	std packaging
37 49 35 070	2100	195	154	18,7	
37 49 35 090	2200	195	154	19,6	
37 49 35 110	2300	195	154	20,4	
37 49 35 130	2400	195	154	21,3	



SEENA 2.0 ACCESSORY PROFILE

Code	L	H	d	kg	std packaging
37 49 36 070	2100	253	78	7,1	
37 49 36 090	2200	253	78	7,4	
37 49 36 110	2300	253	78	7,7	
37 49 36 130	2400	253	78	8	

all dimensions are in mm

# SUPPORTS & REINFORCEMENTS

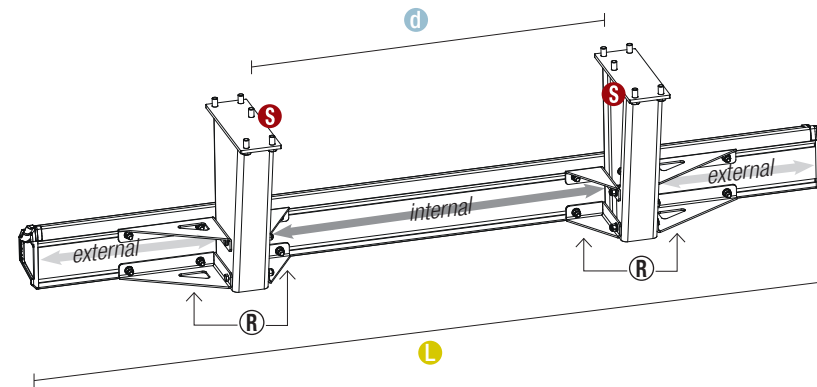
## CONFIGURE SEENA 2.0

SEENA 2.0 rear underrun device is type approved according to the ECE R.58-03 regulation when installed using the supporting elements and brackets which are indicated in the Homologation document, available for download in the dedicated section of our website [www.lagoaccessori.net](http://www.lagoaccessori.net)

Compliance requires that precise bracket combinations be included in the installation based on the certain variables found on the vehicle; the following table can guide you in choosing the right elements for your vehicle.

By following these steps you will be led to a required configuration

- S** Choose **SUPPORT** type
- L** Choose **SEENA length**
- d** Choose **distance range between SUPPORTS**
- R** = Intersect **L** & **d** in the following table to find the suitable **REINFORCEMENT BRACKETS** and their positioning (internal and/or external)



S SUPPORT	L SEENA length	position	d distance between SUPPORTS		
			850-1199	1200-1350	1351-1450
S1 31 10 46 101	2100	internal	-	-	-
		external	R1 31 11 46 202	R2 31 11 46 203	R2 31 11 46 203
	2200	internal	-	-	-
		external	R1 31 11 46 202	R2 31 11 46 203	R2 31 11 46 203
	2300	internal	-	-	-
		external	R1 31 11 46 202	R2 31 11 46 203	R2 31 11 46 203
	2400	internal	-	-	-
		external	R1 31 11 46 202	R2 31 11 46 203	R2 31 11 46 203

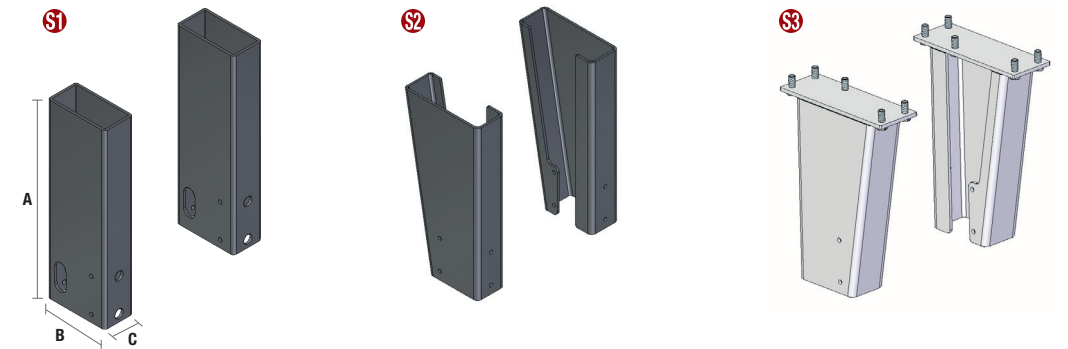
S SUPPORT	L SEENA length	position	d Distance between SUPPORTS		
			850-1199	1200-1350	1351-1450
S2 31 10 46 102	2100	internal	R2 31 11 46 201	-	R1 31 11 46 201
		external	R2 31 11 46 201	R2 31 11 46 203	R2 31 11 46 201
	2200	internal	R2 31 11 46 201	-	R1 31 11 46 201
		external	R1 31 11 46 201	R2 31 11 46 203	R2 31 11 46 201
	2300	internal	R2 31 11 46 201	-	R1 31 11 46 201
		external	R1 31 11 46 201	R2 31 11 46 203	R2 31 11 46 201
	2400	internal	R2 31 11 46 201	-	R1 31 11 46 201
		external	R1 31 11 46 201	R2 31 11 46 203	R2 31 11 46 201

S SUPPORT	L SEENA length	position	d Distance between SUPPORTS		
			850-1199	1200-1350	1351-1450
S3 31 10 46 103	2100	internal	R2 31 11 46 201	-	R1 31 11 46 201
		external	R1 31 11 46 201	R2 31 11 46 203	R2 31 11 46 201
	2200	internal	R2 31 11 46 201	-	R1 31 11 46 201
		external	R1 31 11 46 201	R2 31 11 46 203	R2 31 11 46 201
	2300	internal	R2 31 11 46 201	-	R1 31 11 46 201
		external	R1 31 11 46 201	R2 31 11 46 203	R2 31 11 46 201
	2400	internal	R2 31 11 46 201	-	R1 31 11 46 201
		external	R1 31 11 46 201	R2 31 11 46 203	R2 31 11 46 201

all dimensions are in mm

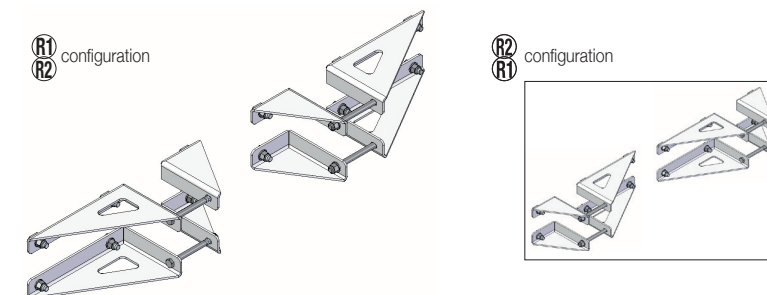
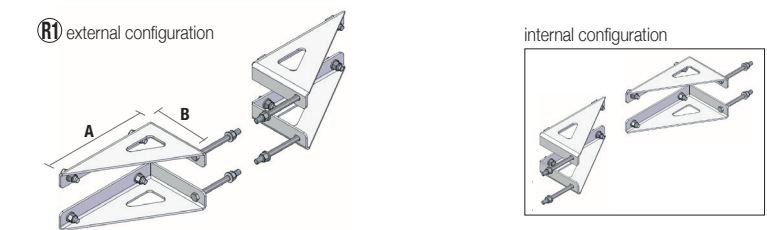
# SUPPORTS & REINFORCEMENTS

## SUPPORTS



Code	description	fig.	A	B	C	sp	mat/finishing	kg	std packaging
31 10 46 101	Weldable	S1	600	200	100	8	Uncoated steel	40,6	
31 10 46 102	Weldable	S2	600	300	110	8	Uncoated steel	39,8	
31 11 46 103	Bolttable	S3	510	370	126	8	Galvanized steel	41	

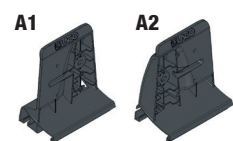
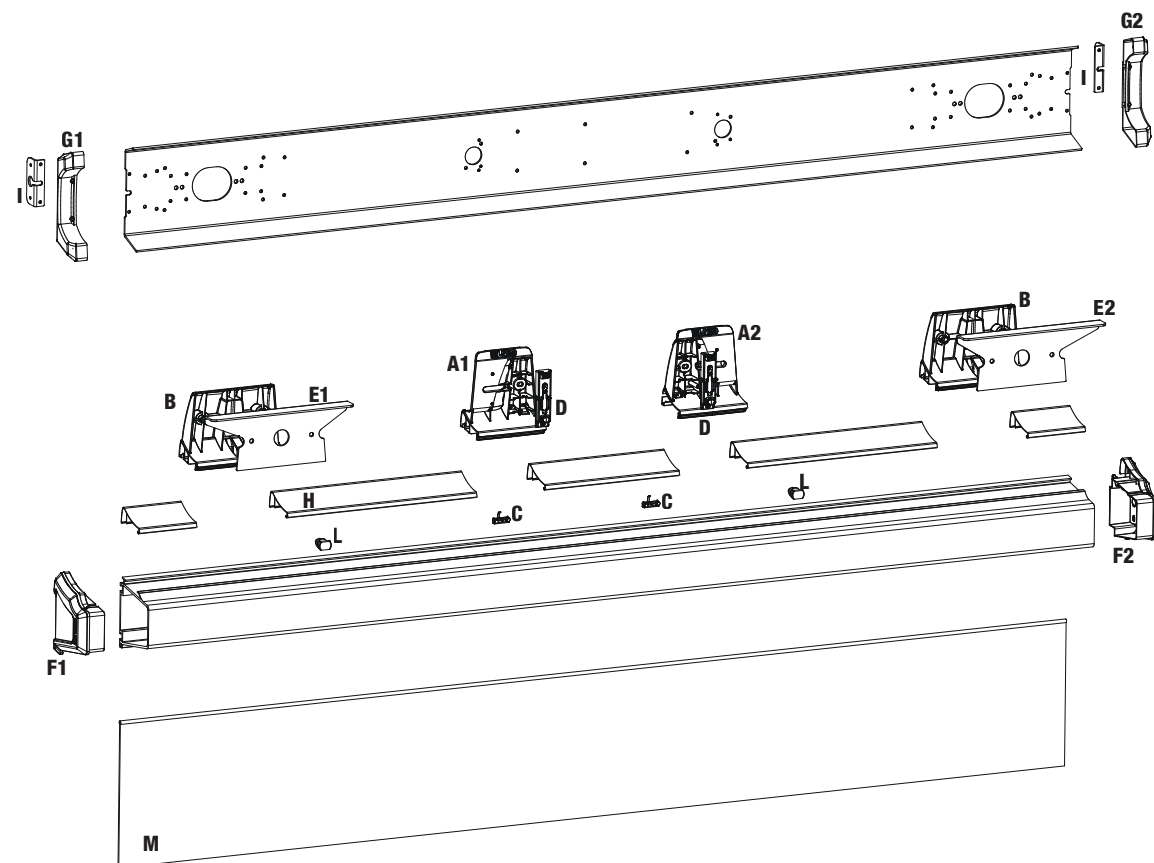
## REINFORCEMENT BRACKETS



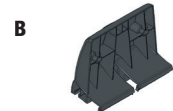
Code	description	fig.	A	B	C	sp	mat/finishing	kg	std packaging
31 11 46 202	Braket	R1	297,5	180		5	Galvanized steel	8	
31 11 46 203	Braket	R2	117,5	180		5	Galvanized steel	4,5	
31 11 46 201	Braket	R1 or R2					Galvanized steel	11,8	

all dimensions are in mm

# ACCESSORIES AND SPARE PARTS



Code	description	kg	std packaging
73 05 13 002	Number plate holder module (RIGHT)	0,36	
73 05 13 001	Number plate holder module (LEFT)	0,36	



70 05 35 001	Tail lamp holder	0,5	
--------------	------------------	-----	--



71 09 01 001	Cable gland for SEENA 2.0	0,01	
--------------	---------------------------	------	--

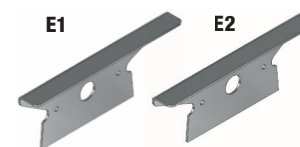
all dimensions are in mm

# ACCESSORIES AND SPARE PARTS

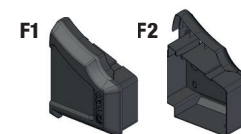


**CIAPEEN** - Spring loaded number plate - Can be used for Seena rear underrun protection or others

Code	description	kg	std packaging
73 60 11 061	Ciapeen - Acetalic resin spring loaded number plate holders	0.03	



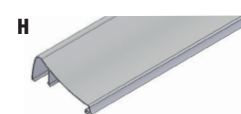
70 49 35 001	Aluminium tail lamp protector (LEFT)	0,5	
70 49 35 002	Aluminium tail lamp protector (RIGHT)	0,5	



39 05 15 001	End cap for SEENA 2.0 and SEENA 2.0 plus (LEFT)	0,2	
39 05 15 002	End cap for SEENA 2.0 and SEENA 2.0 plus (RIGHT)	0,2	



39 05 15 003	End Cap for SEENA 2.0 Accessory profile (LEFT)	0,1	
39 05 15 004	End Cap for SEENA 2.0 Accessory profile (RIGHT)	0,1	



Code	description	L	kg
47 45 46 240	Cable duct cover	2400	1,5



70 49 35 003	Aluminium outline marker lamp holder		0,07
--------------	--------------------------------------	--	------



08 11 01 080	SEENA 2.0 mounting bolt 2.0 M12x35 CL.10.9		0,06
--------------	--	--	------

## SEENA 2.0 REAR MUDFLAP

PVC thickness 3mm

Colour: black (UV stabilized)

Personalized Versions are available upon request. One or more color Silk screen printing.

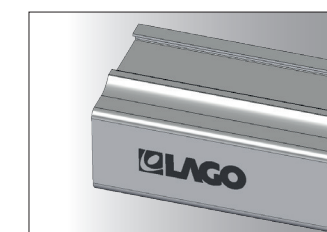


Code	description	L	thickness	kg	std packaging
13 70 74 005	Mudflap for SEENA 2.0 profile	2100	3	3,25	
13 70 74 004	Mudflap for SEENA 2.0 profile	2200	3	3,4	
13 70 74 001	Mudflap for SEENA 2.0 profile	2300	3	3,55	
13 70 74 002	Mudflap for SEENA 2.0 profile	2400	3	3,7	



## MUDFLAP CUSTOMISATION

Silk screen printing  
One or more colours upon request



## PROFILE CUSTOMIZATION

Laser printing  
Minimum order quantity required

all dimensions are in mm